

Technical specifications sheet

Part number **290102251050C**

Description **DPV 10/5 B~Oval G 6/4~2,2kW 230/400V~50Hz 2P~IEC 90L~~Fixed Ca Sic EPDM**

Vertical centrifugal pump, suction and discharge connections in-line.

Quotation details

Quotation number

Project

Position

Search criteria

Medium to be pumped	Water
Flow	11.00 m3/h
Pressure	30.0 mwc

Hydraulic efficiency

Minimum efficiency index according:	MEI ≥ 0.70
Commission Regulation (EU) No 547/2012	

Actual duty point

Flow	2.96 m3/h
Pressure	30 mwc
NPSH	0.5 m
Efficiency	53.6 %
Motor power	0.46 kW
Frequency	38.0Hz

Best efficiency point

Flow	9.5 m3/h
Pressure	42.1 mwc
NPSH	1 m
Efficiency	67 %
Motor power	1.63 kW
Frequency	50Hz

Connection base

Connection type	Oval
DIN connection standard	DIN-ISO 228-1
ASME connection standard	
JIS connection standard	
DIN connection size	G 6/4
ASME connection size	
JIS connection size	
DIN connection pressure class	PN16
ASME connection pressure class	
JIS connection pressure class	
Material S/D casing	AISI304
Material flanges	Cast Iron JL1040
Material baseplate	Cast Iron JL1040

Seal data

Shaft diameter	ø 16mm
Seal diameter	ø 16mm
Construction shaft seal	Fixed
Seal code	11
Shaft seal type	MG12-G60
Material mechanical seal	B Q1 E GG
Material shaft seal rotor	Ca
Material shaft seal stator	Sic
Material shaft seal elastomer	EPDM
Material pump elastomer	EPDM
Material seal cover	
Pressure class shaft seal	PN10
Temperature range shaft seal	-20/+100 °C

Basic hydraulic data

Maximum working pressure	PN25+100 °C
Maximum liquid temperature	140 °C+PN16
Minimum liquid temperature	-20 °C
Material hydraulic	AISI304

Plug

Air relieve construction	Vent. plug
Material plug	AISI304

For details contact

DP Pumps
PO Box 28
2400AA Alphen a/d Rijn
The Netherlands

NL



Hydraulic performance sheet

Part number **290102251050C**

Description **DPV 10/5 B~Oval G 6/4~2,2kW 230/400V~50Hz 2P~IEC 90L~~Fixed Ca Sic EPDM**

Vertical centrifugal pump, suction and discharge connections in-line.

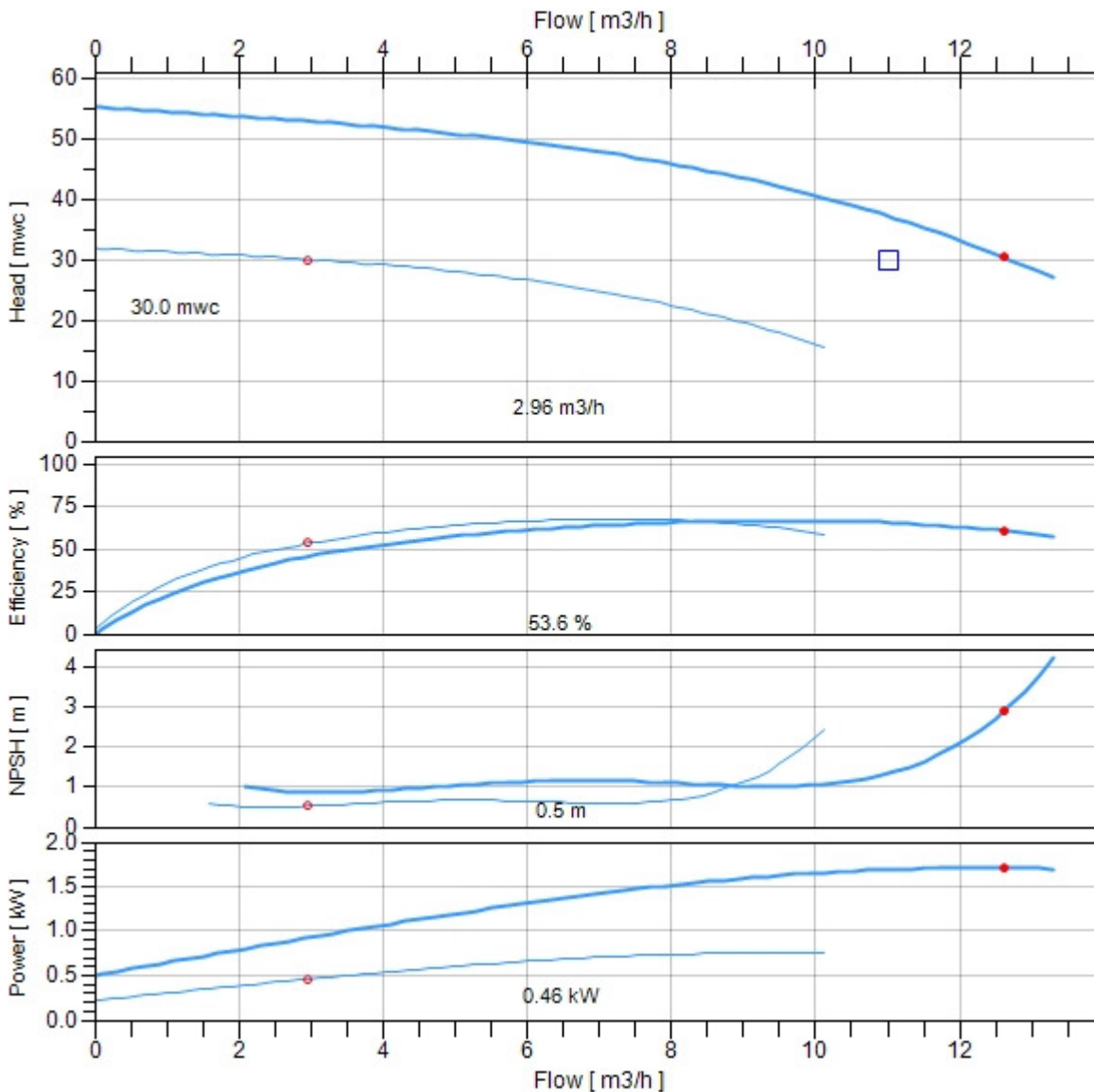
Search criteria

Medium to be pumped

Flow 11.00 m3/h
 Pressure 30.0 mwc

Actual duty point

Flow 2.96 m3/h
 Pressure 30.0 mwc
 Efficiency 53.6 %
 NPSH 0.5 m
 Power 0.46 kW
 Frequency 38.0Hz



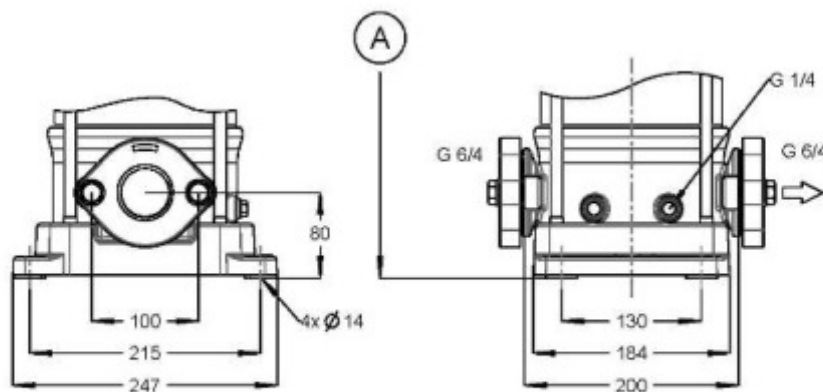
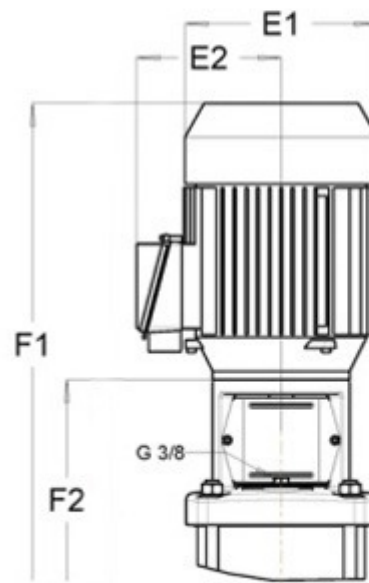
Duty Point
 ● Actual
 □ Required

Dimensions sheet

Part number **290102251050C**

Description **DPV 10/5 B~Oval G 6/4~2,2kW 230/400V~50Hz 2P~IEC 90L~~Fixed Ca Sic EPDM**

Vertical centrifugal pump, suction and discharge connections in-line.



Motor width (E1)	176mm
Motor width (E2)	141mm
Total height (F1)	721mm
Total height (F2)	436mm
Total net weight	45kg

Motor specifications

Part number **3710011022**

Description **Motor DMC 2,2kW 230/400V 2P IE2 90L IP55 No Pos. 800**

Electric Data

Rated power output	2,2kW
Maximum power output	3,0kW
Rated voltage	230/400V
Phases	3ph
Frequency	50/60Hz
Voltage range	207-253/360-440V
Motor poles	2P
ATEX class	
Duty class	S1
Insulation class	F (rise-B)
Moment of inertia	0,0016kgm ²
Motor standard	IEC
Capacitor	
Motor efficiency	83,5/83,3%
Motor efficiency class	IE2

Mechanical data

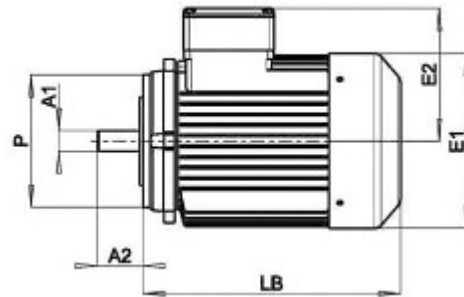
Shaft execution	smooth shaft
Maximum starts per hour	30
Cable gland	1xM20x1,5
VFD allowance	VFD allowed

Dimensions

Diameter shaft A1	24mm
Length shaft A2	50mm
Diameter motor E1	176mm
Terminal box height E2	141mm
Diameter flange P	140mm
L. motor (without shaft) LB	281mm
Frame size	90L
Motor construction type	IM V18
Motor face	IEC 60034-7 Form FT 115

50Hz

Tolerance rated voltage	±10%
Rated speed	2870rpm
Starting current factor (Ia/In)	7.3
Rated current (In)	8,2/4,7A
Maximum current (Imax)	10,4/6,0A
Rated Cos phi	0.81
Sound pressure	56dB(A)
Rated nominal torque	7,5Nm
Rated starting torque	27,0Nm



60Hz

Tolerance rated voltage	+20%,-10%
Rated speed	3420rpm
Starting current factor (Ia/In)	6.6
Rated current (In)	7,5/4,3A
Maximum current (Imax)	10,4/6,0A
Rated Cos phi	0.89
Sound pressure	59dB(A)
Rated nominal torque	6,1Nm
Rated starting torque	18,4Nm

Bearings / lubrication

Grease nipple	
Bearing fixation pos	D-end
D-end bearing type	6305-2Z-C3
Bearing grease	Lithium based -20%/+160

Details

Motor label	DMC
Weight	19,8kg
Lifting lugs	No
Motor finish	RAL5002
Rated max. amb. temp.	40°C
Material housing	Aluminium

Motor protection

Motor protection class	IP55
Temperature sensor	No
Rain cover	
Anti condensation heater	