

Technical specifications sheet

Part number **290102251060M**

Description **DPV 10/6 B~Oval G 6/4~2,2kW 1x230V~50Hz 2P~IEC 90L~~Fixed Ca Sic EPDM**

Vertical centrifugal pump, suction and discharge connections in-line.

Quotation details

Quotation number

Project

Position

Search criteria

Medium to be pumped	Water
Flow	12.00 m3/h
Pressure	38.0 mwc

Hydraulic efficiency

Minimum efficiency index according: MEI ? 0.70
Commission Regulation (EU) No 547/2012

Actual duty point

Flow	3.95 m3/h
Pressure	38 mwc
NPSH	0.6 m
Efficiency	58.8 %
Motor power	0.71 kW
Frequency	39.5Hz

Best efficiency point

Flow	9.5 m3/h
Pressure	50.5 mwc
NPSH	1 m
Efficiency	67 %
Motor power	1.95 kW
Frequency	50Hz

Connection base

Connection type	Oval
DIN connection standard	DIN-ISO 228-1
ASME connection standard	
JIS connection standard	
DIN connection size	G 6/4
ASME connection size	
JIS connection size	
DIN connection pressure class	PN16
ASME connection pressure class	
JIS connection pressure class	
Material S/D casing	AISI304
Material flanges	Cast Iron JL1040
Material baseplate	Cast Iron JL1040

Seal data

Shaft diameter	ø 16mm
Seal diameter	ø 16mm
Construction shaft seal	Fixed
Seal code	11
Shaft seal type	MG12-G60
Material mechanical seal	B Q1 E GG
Material shaft seal rotor	Ca
Material shaft seal stator	Sic
Material shaft seal elastomer	EPDM
Material pump elastomer	EPDM
Material seal cover	
Pressure class shaft seal	PN10
Temperature range shaft seal	-20/+100 °C

Basic hydraulic data

Maximum working pressure	PN25+100 °C
Maximum liquid temperature	140 °C+PN16
Minimum liquid temperature	-20 °C
Material hydraulic	AISI304

Plug

Air relieve construction	Vent. plug
Material plug	AISI304

For details contact

DP Pumps
PO Box 28
2400AA Alphen a/d Rijn
The Netherlands

NL



Hydraulic performance sheet

Part number **290102251060M**

Description **DPV 10/6 B~Oval G 6/4~2,2kW 1x230V~50Hz 2P~IEC 90L~~Fixed Ca Sic EPDM**

Vertical centrifugal pump, suction and discharge connections in-line.

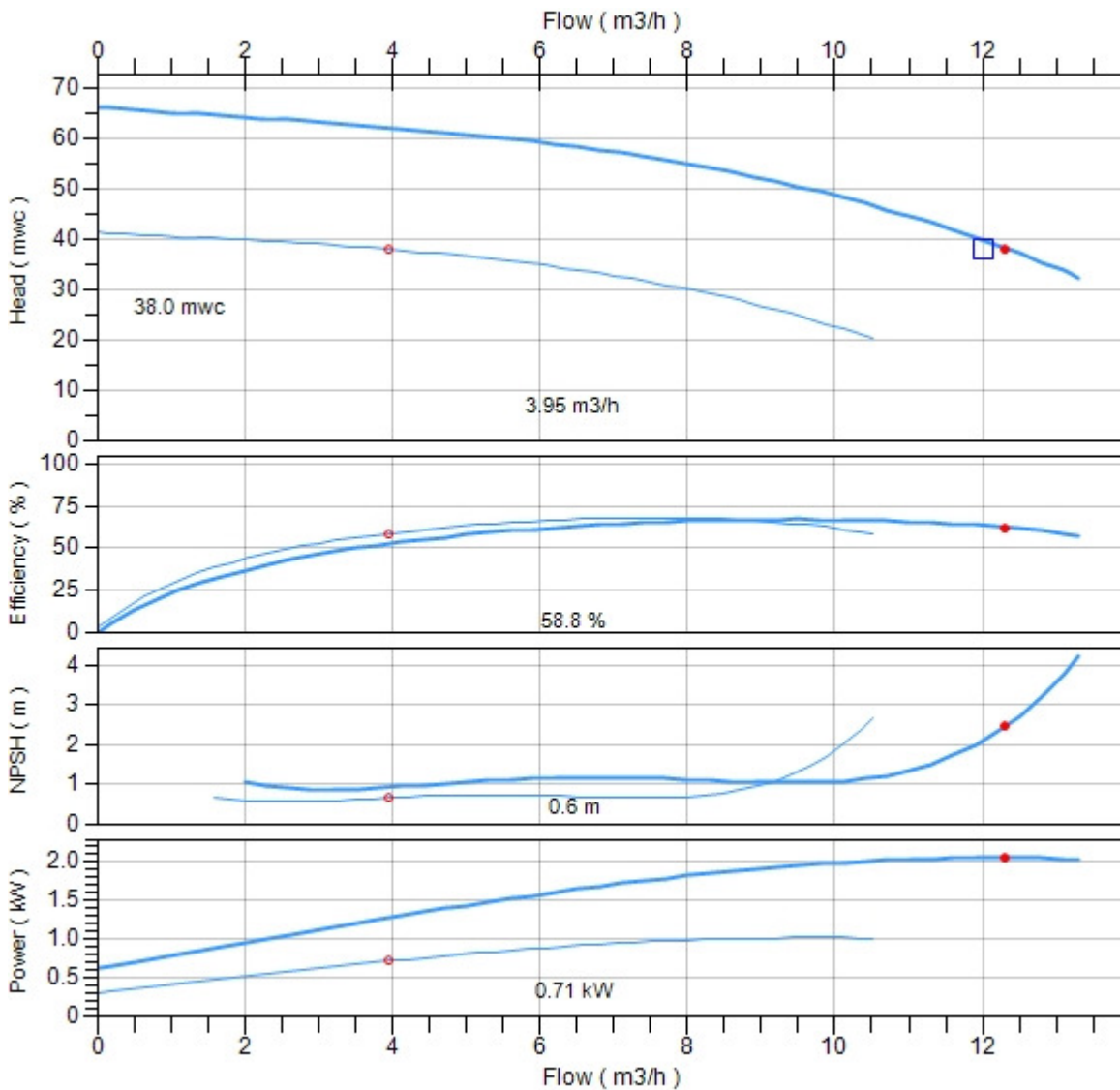
Search criteria

Medium to be pumped

Flow 12.00 m3/h
 Pressure 38.0 mwc

Actual duty point

Flow 3.95 m3/h
 Pressure 38.0 mwc
 Efficiency 58.8 %
 NPSH 0.6 m
 Power 0.71 kW
 Frequency 39.5Hz



Evaluating ProEssentials! www.gigasoft.com

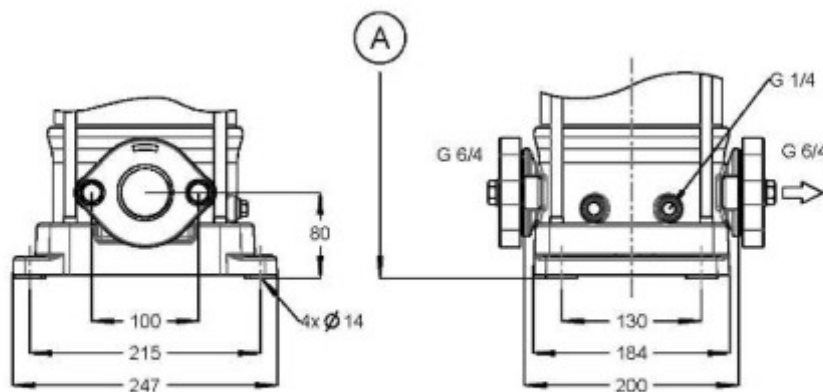
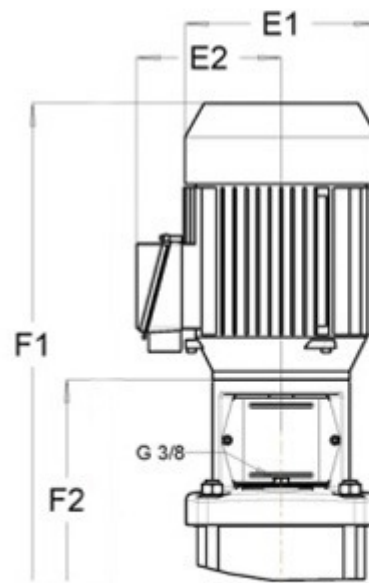
- Duty Point
- Actual
- Required

Dimensions sheet

Part number **290102251060M**

Description **DPV 10/6 B~Oval G 6/4~2,2kW 1x230V~50Hz 2P~IEC 90L~~Fixed Ca Sic EPDM**

Vertical centrifugal pump, suction and discharge connections in-line.



Motor width (E1)	176.5mm
Motor width (E2)	160mm
Total height (F1)	739mm
Total height (F2)	462mm
Total net weight	45kg

Motor specifications

Part number **370000022**

Description **Motor DMW 2,2kW 1x230V 2P 90L IP55 Pos. 800**

Electric Data

Rated power output	2,2kW
Maximum power output	3kW
Rated voltage	1x230V
Phases	1ph
Frequency	50Hz
Voltage range	207-253V
Motor poles	2P
ATEX class	
Duty class	S1
Insulation class	F (rise-B)
Moment of inertia	0,0014kgm ²
Motor standard	IEC
Capacitor	40μ
Motor efficiency	0.77
Motor efficiency class	

50Hz

Tolerance rated voltage	±10%
Rated speed	2800rpm
Starting current factor (Ia/In)	4.8
Rated current (In)	13,04A
Maximum current (Imax)	13,3A
Rated Cos phi	0.95
Sound pressure	58dB(A)
Rated nominal torque	7,5Nm
Rated starting torque	12,75Nm

60Hz

Tolerance rated voltage	
Rated speed	
Starting current factor (Ia/In)	
Rated current (In)	
Maximum current (Imax)	
Rated Cos phi	
Sound pressure	
Rated nominal torque	
Rated starting torque	

Motor protection

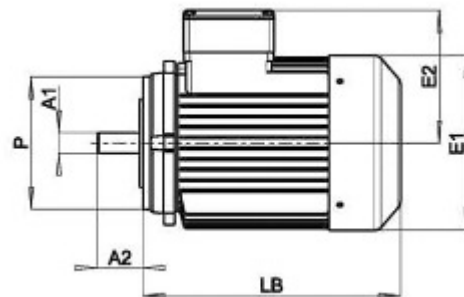
Motor protection class	IP55
Temperature sensor	
Rain cover	
Anti condensation heater	

Mechanical data

Shaft execution	smooth shaft
Maximum starts per hour	20
Cable gland	1xM20x1,5
VFD allowance	VFD not allowed

Dimensions

Diameter shaft A1	24mm
Length shaft A2	50mm
Diameter motor E1	176.5mm
Terminal box height E2	160mm
Diameter flange P	140mm
L. motor (without shaft) LB	285mm
Frame size	90L
Motor construction type	IM V18
Motor face	IEC 60034-7 Form FT 115



Bearings / lubrication

Grease nipple	
Bearing fixation pos	D-end
D-end bearing type	6305-2Z-C3
Bearing grease	Lithium based -20%+160

Details

Motor label	DMW
Weight	15kg
Lifting lugs	
Motor finish	RAL5002
Rated max. amb. temp.	40°C
Material housing	Aluminium