

Technical specifications sheet

Part number **290252352030D**

Description **DPVF 25/3 B~Flanged NW65~5,5kW 400/690V~50Hz 2P~IEC 132S~~Easy Access Ca SiC EPDM**

Vertical centrifugal pump, suction and discharge connections in-line.

Quotation details

Quotation number

Project

Position

Search criteria

Medium to be pumped Water
 Flow 30.00 m3/h
 Pressure 40.0 mwc

Hydraulic efficiency

Minimum efficiency index according: MEI ≥ 0.70
 Commission Regulation (EU) No 547/2012

Actual duty point

Flow 5.67 m3/h
 Pressure 40 mwc
 NPSH 0 m
 Efficiency 39.3 %
 Motor power 1.63 kW
 Frequency 40.5Hz

Best efficiency point

Flow 28 m3/h
 Pressure 46.8 mwc
 NPSH 3.1 m
 Efficiency 73.9 %
 Motor power 4.83 kW
 Frequency 50Hz

Connection base

Connection type Flanged
 DIN connection standard EN 1092-2
 ASME connection standard
 JIS connection standard JIS-B2238
 DIN connection size NW65
 ASME connection size
 JIS connection size JIS65
 DIN connection pressure class PN25/40
 ASME connection pressure class
 JIS connection pressure class 16K/20K
 Material S/D casing AISI304
 Material flanges Cast Iron JS1030
 Material baseplate Cast Iron JL1040

Seal data

Shaft diameter ø 22mm
 Seal diameter ø 22mm
 Construction shaft seal Easy Access
 Seal code 11
 Shaft seal type MG12-G60
 Material mechanical seal B Q1 E GG
 Material shaft seal rotor Ca
 Material shaft seal stator SiC
 Material shaft seal elastomer EPDM
 Material pump elastomer EPDM
 Material seal cover AISI304
 Pressure class shaft seal PN10
 Temperature range shaft seal -20/+100 °C

Basic hydraulic data

Maximum working pressure PN40+140 °C
 Maximum liquid temperature 140 °C+PN40
 Minimum liquid temperature -20 °C
 Material hydraulic AISI304

Plug

Air relieve construction Vent. plug
 Material plug AISI304

For details contact

DP Pumps
 PO Box 28
 2400AA Alphen a/d Rijn
 The Netherlands

NL



Hydraulic performance sheet

Part number **290252352030D**

Description **DPVF 25/3 B~Flanged NW65~5,5kW 400/690V~50Hz 2P~IEC 132S~~Easy Access Ca SiC EPDM**

Vertical centrifugal pump, suction and discharge connections in-line.

Search criteria

Medium to be pumped

Flow 30.00 m3/h

Pressure 40.0 mwc

Actual duty point

Flow 5.67 m3/h

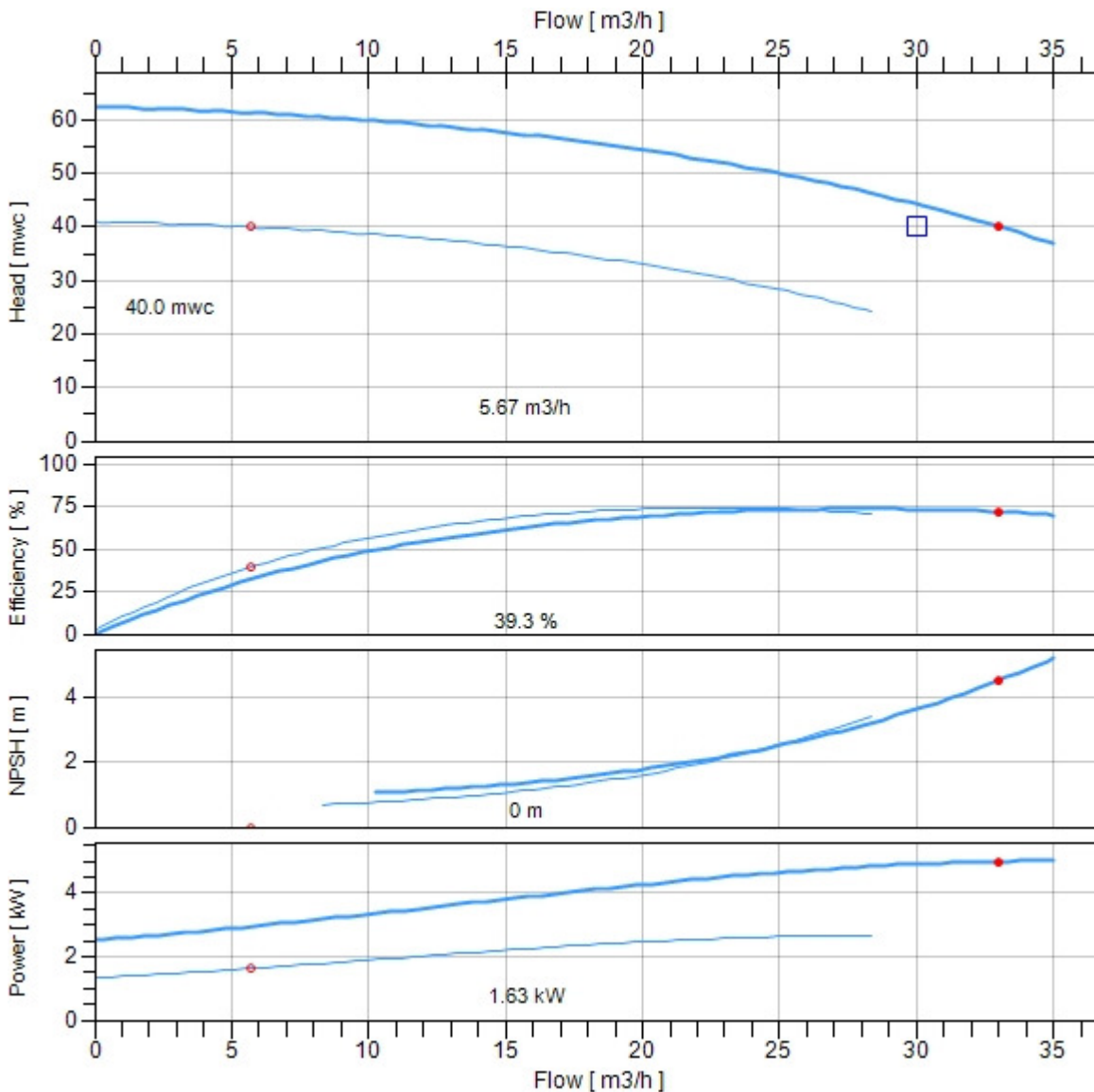
Pressure 40.0 mwc

Efficiency 39.3 %

NPSH 0.0 m

Power 1.63 kW

Frequency 40.5Hz



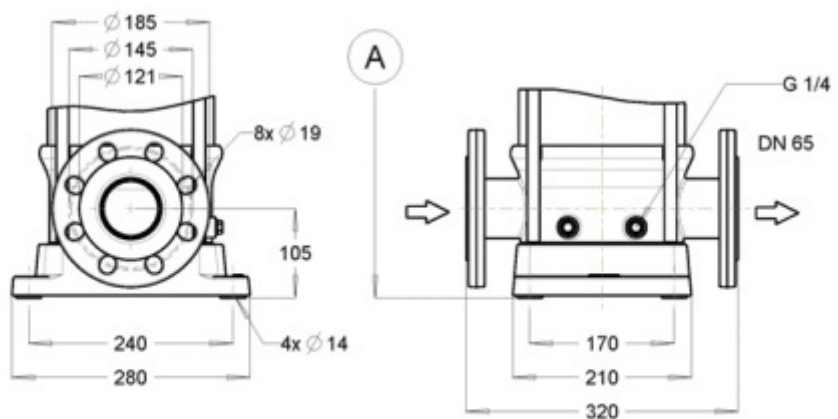
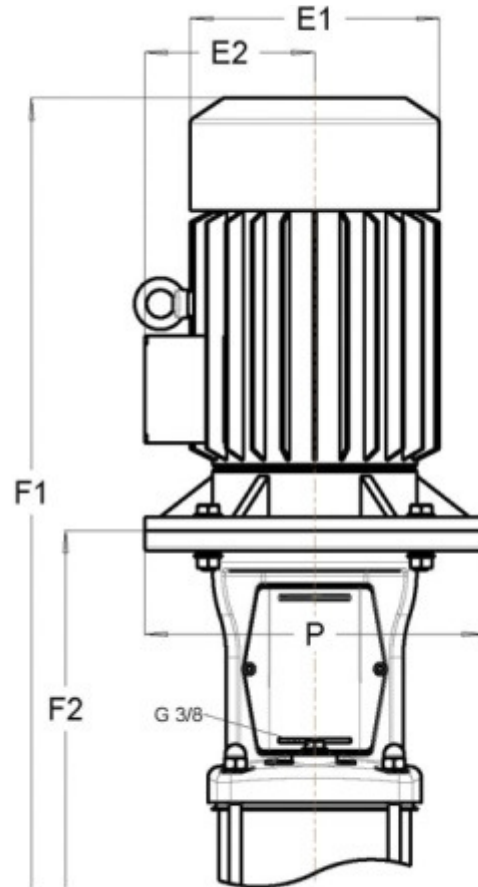
Duty Point
 ● Actual
 □ Required

Dimensions sheet

Part number **290252352030D**

Description **DPVF 25/3 B~Flanged NW65~5,5kW 400/690V~50Hz 2P~IEC 132S~~Easy Access Ca SiC EPDM**

Vertical centrifugal pump, suction and discharge connections in-line.



Motor width (E1)	266mm
Motor width (E2)	178mm
Total height (F1)	999mm
Total height (F2)	634mm
Total net weight	111kg

Motor specifications

Part number **3710112055**

Description **Motor DMC 5,5kW 400/690V 2P IE2 132S IP55 3xPTC Pos. 801**

Electric Data

Rated power output	5,5kW
Maximum power output	7,9kW
Rated voltage	400/690V
Phases	3ph
Frequency	50/60Hz
Voltage range	360-440/621-759V
Motor poles	2P
ATEX class	
Duty class	S1
Insulation class	F (rise-B)
Moment of inertia	0,014kgm ²
Motor standard	IEC
Capacitor	
Motor efficiency	87,5/89%
Motor efficiency class	IE2

Mechanical data

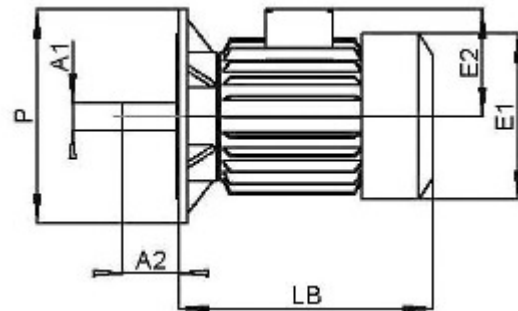
Shaft execution	smooth shaft
Maximum starts per hour	20
Cable gland	2xM25x1,5
VFD allowance	VFD allowed

Dimensions

Diameter shaft A1	38mm
Length shaft A2	80mm
Diameter motor E1	266mm
Terminal box height E2	178mm
Diameter flange P	300mm
L. motor (without shaft) LB	419mm
Frame size	132S
Motor construction type	IM V1
Motor face	IEC 60034-7 Form FF 265

50Hz

Tolerance rated voltage	±10%
Rated speed	2930rpm
Starting current factor (Ia/In)	8.8
Rated current (In)	10,1/5,9A
Maximum current (Imax)	14,4/8,3A
Rated Cos phi	0.9
Sound pressure	64dB(A)
Rated nominal torque	17,9Nm
Rated starting torque	48,3Nm



60Hz

Tolerance rated voltage	+20%,-10%
Rated speed	3520rpm
Starting current factor (Ia/In)	7.7
Rated current (In)	9,6/5,6A
Maximum current (Imax)	14,4/8,3A
Rated Cos phi	0.93
Sound pressure	68dB(A)
Rated nominal torque	14,9Nm
Rated starting torque	32,8Nm

Bearings / lubrication

Grease nipple	
Bearing fixation pos	D-end
D-end bearing type	6308-2Z-C3
Bearing grease	Lithium based -20%/+160

Details

Motor label	DMC
Weight	49kg
Lifting lugs	2 x M10
Motor finish	RAL5002
Rated max. amb. temp.	40°C
Material housing	Cast Iron JL1040

Motor protection

Motor protection class	IP55
Temperature sensor	3xPTC
Rain cover	
Anti condensation heater	