

Technical specifications sheet

Part number **290252352040D**

Description **DPVF 25/4 B~Flanged NW65~7,5kW 400/690V~50Hz 2P~IEC 132S~~Easy Access Ca SiC EPDM**

Vertical centrifugal pump, suction and discharge connections in-line.

Quotation details

Quotation number

Project

Position

Search criteria

Medium to be pumped	Water
Flow	8.00 l/sec
Pressure	65.0 mwc

Hydraulic efficiency

Minimum efficiency index according: MEI \geq 0.70
Commission Regulation (EU) No 547/2012

Actual duty point

Flow	8 l/sec
Pressure	61.1 mwc
NPSH	3.3 m
Efficiency	73.9 %
Motor power	6.49 kW

Best efficiency point

Flow	7.44 l/sec
Pressure	64.2 mwc
NPSH	2.9 m
Efficiency	73.8 %
Motor power	6.35 kW

Connection base

Connection type	Flanged
DIN connection standard	EN 1092-2
ASME connection standard	
JIS connection standard	JIS-B2238
DIN connection size	NW65
ASME connection size	
JIS connection size	JIS65
DIN connection pressure class	PN25/40
ASME connection pressure class	
JIS connection pressure class	16K/20K
Material S/D casing	AISI304
Material flanges	Cast Iron JS1030
Material baseplate	Cast Iron JL1040

Seal data

Shaft diameter	\varnothing 22mm
Seal diameter	\varnothing 22mm
Construction shaft seal	Easy Access
Seal code	11
Shaft seal type	MG12-G60
Material mechanical seal	B Q1 E GG
Material shaft seal rotor	Ca
Material shaft seal stator	SiC
Material shaft seal elastomer	EPDM
Material pump elastomer	EPDM
Material seal cover	AISI304
Pressure class shaft seal	PN10
Temperature range shaft seal	-20/+100 °C

Basic hydraulic data

Maximum working pressure	PN40+140 °C
Maximum liquid temperature	140 °C+PN40
Minimum liquid temperature	-20 °C
Material hydraulic	AISI304

Plug

Air relieve construction	Vent. plug
Material plug	AISI304

For details contact

DP Pumps
PO Box 28
2400AA Alphen a/d Rijn
The Netherlands

NL



Hydraulic performance sheet

Part number **290252352040D**

Description **DPVF 25/4 B~Flanged NW65~7,5kW 400/690V~50Hz 2P~IEC 132S~~Easy Access Ca SiC EPC**

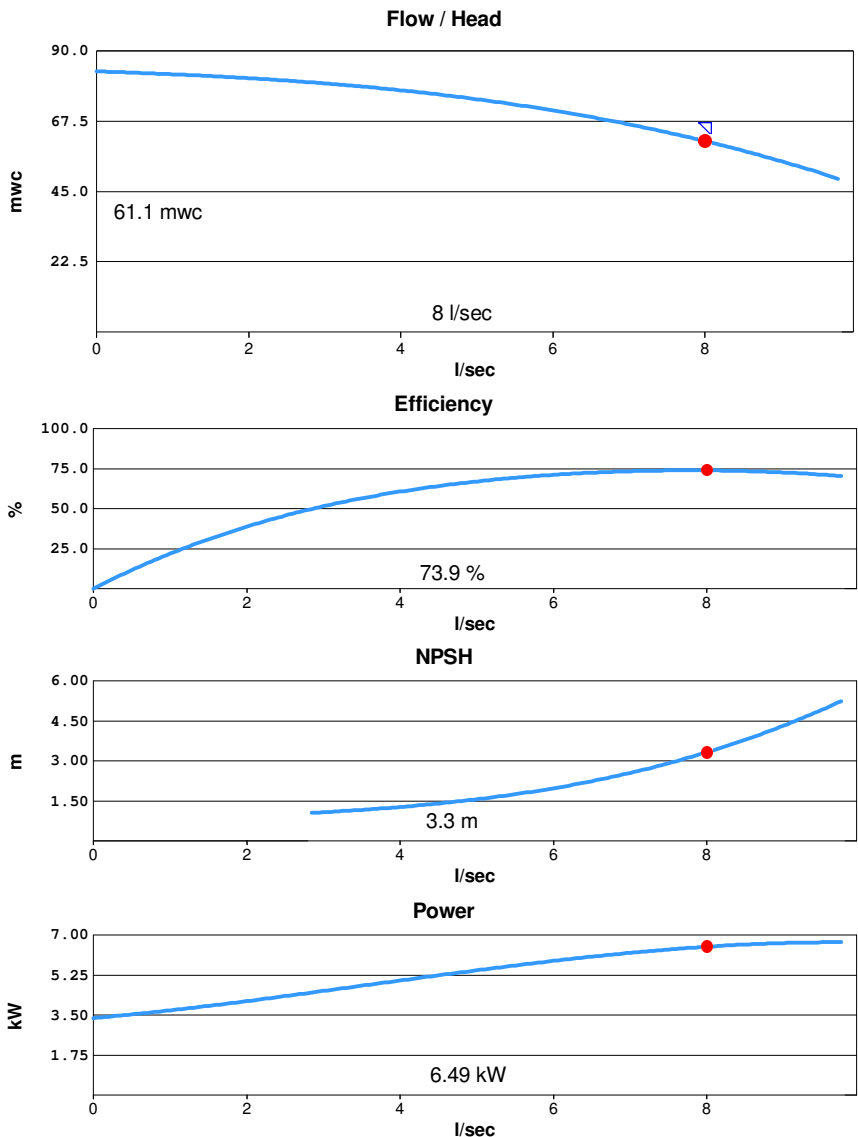
Vertical centrifugal pump, suction and discharge connections in-line.

Search criteria

Medium to be pumped Water
 Flow 8.00 l/sec
 Pressure 65.0 mwc

Actual duty point

Flow 8.00 l/sec
 Pressure 61.1 mwc
 Efficiency 73.9 %
 NPSH 3.3 m
 Power 6.49 kW



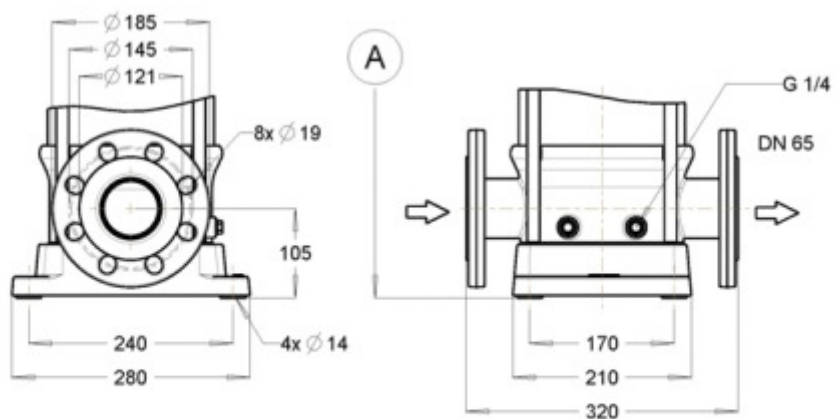
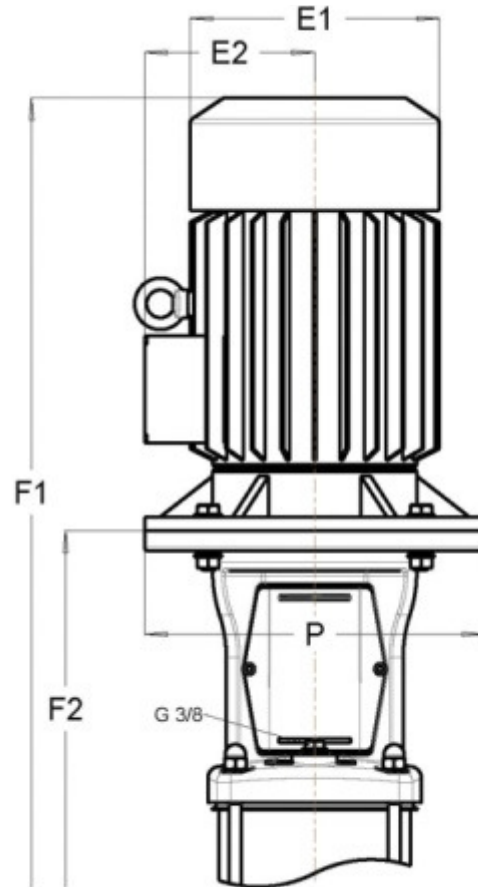
Duty Point
 ● Actual
 □ Required

Dimensions sheet

Part number **290252352040D**

Description **DPVF 25/4 B~Flanged NW65~7,5kW 400/690V~50Hz 2P~IEC 132S~~Easy Access Ca SiC EPD**

Vertical centrifugal pump, suction and discharge connections in-line.



Motor width (E1)	266mm
Motor width (E2)	178mm
Total height (F1)	1064mm
Total height (F2)	699mm
Total net weight	117kg

Motor specifications

Part number **3710112075**

Description **Motor DMC 7,5kW 400/690V 2P IE2 132S IP55 3xPTC Pos. 801**

Electric Data

Rated power output	7,5kW
Maximum power output	9,6kW
Rated voltage	400/690V
Phases	3ph
Frequency	50/60Hz
Voltage range	360-440/621-759V
Motor poles	2P
ATEX class	
Duty class	S1
Insulation class	F (rise-B)
Moment of inertia	0,017kgm ²
Motor standard	IEC
Capacitor	
Motor efficiency	88,6/87,4%
Motor efficiency class	IE2

Mechanical data

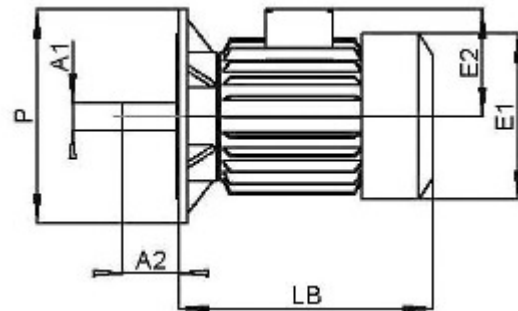
Shaft execution	smooth shaft
Maximum starts per hour	20
Cable gland	2xM25x1,5
VFD allowance	VFD allowed

Dimensions

Diameter shaft A1	38mm
Length shaft A2	80mm
Diameter motor E1	266mm
Terminal box height E2	178mm
Diameter flange P	300mm
L. motor (without shaft) LB	457mm
Frame size	132S
Motor construction type	IM V1
Motor face	IEC 60034-7 Form FF 265

50Hz

Tolerance rated voltage	±10%
Rated speed	2920rpm
Starting current factor (Ia/In)	8.5
Rated current (In)	13,2/7,7A
Maximum current (Imax)	17,6/10,2A
Rated Cos phi	0.92
Sound pressure	64dB(A)
Rated nominal torque	24,5Nm
Rated starting torque	66,2Nm



60Hz

Tolerance rated voltage	+20%,-10%
Rated speed	3500rpm
Starting current factor (Ia/In)	7.3
Rated current (In)	13,2/7,7A
Maximum current (Imax)	17,6/10,2A
Rated Cos phi	0.94
Sound pressure	68dB(A)
Rated nominal torque	20,5Nm
Rated starting torque	43,5Nm

Bearings / lubrication

Grease nipple	
Bearing fixation pos	D-end
D-end bearing type	6308-2Z-C3
Bearing grease	Lithium based -20%/+160

Details

Motor label	DMC
Weight	53kg
Lifting lugs	2 x M10
Motor finish	RAL5002
Rated max. amb. temp.	40 °C
Material housing	Cast Iron JL1040

Motor protection

Motor protection class	IP55
Temperature sensor	3xPTC
Rain cover	
Anti condensation heater	