

Technical specifications sheet

Part number **290252352040D**

Description **DPVF 25/4 B~Flanged NW65~7,5kW 400/690V~50Hz 2P~IEC 132S~~Easy Access Ca SiC EPDM**

Vertical centrifugal pump, suction and discharge connections in-line.

Quotation details

Quotation number

Project

Position

Search criteria

| | |
|---------------------|-------------|
| Medium to be pumped | Water |
| Flow | 36.00 l/sec |
| Pressure | 500.0 kPa |

Hydraulic efficiency

| | |
|--|------------|
| Minimum efficiency index according: | MEI ? 0.70 |
| Commission Regulation (EU) No 547/2012 | |

Actual duty point

| | |
|------------------|-----------|
| Flow | 38 l/sec |
| Pressure | 500.4 kPa |
| NPSH | 4.9 m |
| Efficiency | 71.2 % |
| Motor power | 26.71 kW |
| Frequency | 50.0Hz |
| No of duty pumps | 4 |

Best efficiency point

| | |
|-------------|------------|
| Flow | 31.2 l/sec |
| Pressure | 610.5 kPa |
| NPSH | 3.1 m |
| Efficiency | 73.9 % |
| Motor power | 25.77 kW |
| Frequency | 50Hz |

Connection base

| | |
|--------------------------------|------------------|
| Connection type | Flanged |
| DIN connection standard | EN 1092-2 |
| ASME connection standard | |
| JIS connection standard | JIS-B2238 |
| DIN connection size | NW65 |
| ASME connection size | |
| JIS connection size | JIS65 |
| DIN connection pressure class | PN25/40 |
| ASME connection pressure class | |
| JIS connection pressure class | 16K/20K |
| Material S/D casing | AISI304 |
| Material flanges | Cast Iron JS1030 |
| Material baseplate | Cast Iron JL1040 |

Seal data

| | |
|-------------------------------|-------------|
| Shaft diameter | ø 22mm |
| Seal diameter | ø 22mm |
| Construction shaft seal | Easy Access |
| Seal code | 11 |
| Shaft seal type | MG12-G60 |
| Material mechanical seal | B Q1 E GG |
| Material shaft seal rotor | Ca |
| Material shaft seal stator | SiC |
| Material shaft seal elastomer | EPDM |
| Material pump elastomer | EPDM |
| Material seal cover | AISI304 |
| Pressure class shaft seal | PN10 |
| Temperature range shaft seal | -20/+100 °C |

Basic hydraulic data

| | |
|----------------------------|-------------|
| Maximum working pressure | PN40+140 °C |
| Maximum liquid temperature | 140 °C+PN40 |
| Minimum liquid temperature | -20 °C |
| Material hydraulic | AISI304 |

Plug

| | |
|--------------------------|------------|
| Air relieve construction | Vent. plug |
| Material plug | AISI304 |

For details contact

DP Pumps
PO Box 28
2400AA Alphen a/d Rijn
The Netherlands

NL



Hydraulic performance sheet

Part number **290252352040D**

Description **DPVF 25/4 B~Flanged NW65~7,5kW 400/690V~50Hz 2P~IEC 132S~~Easy Access Ca SiC EPDM**

Vertical centrifugal pump, suction and discharge connections in-line.

Search criteria

Medium to be pumped

Flow 36.00 l/sec

Pressure 500.0 kPa

Actual duty point

Flow 38.00 l/sec

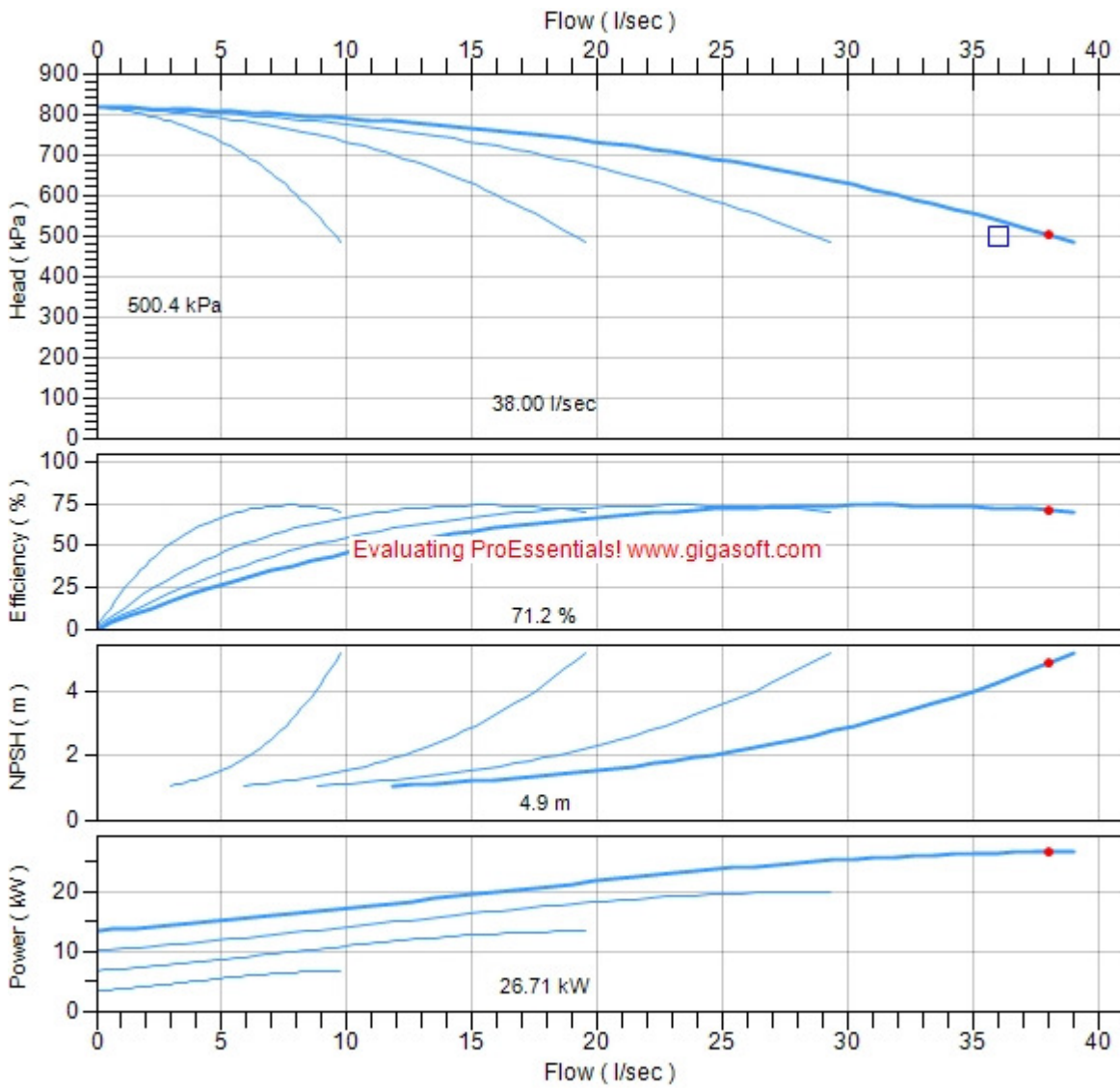
Pressure 500.4 kPa

Efficiency 71.2 %

NPSH 4.9 m

Power 26.71 kW

Frequency 50.0Hz



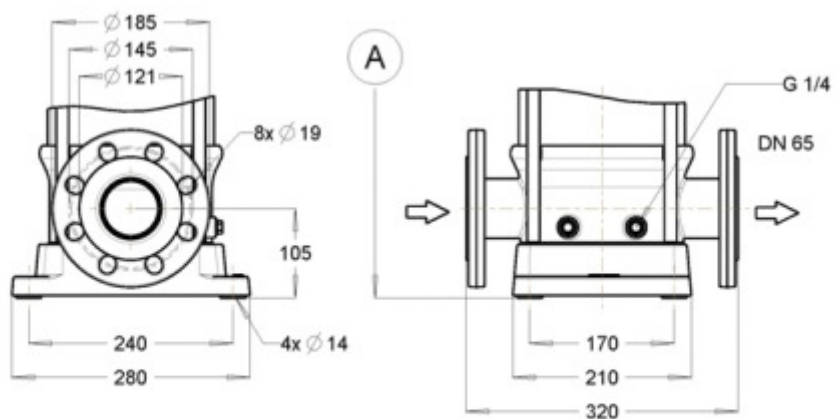
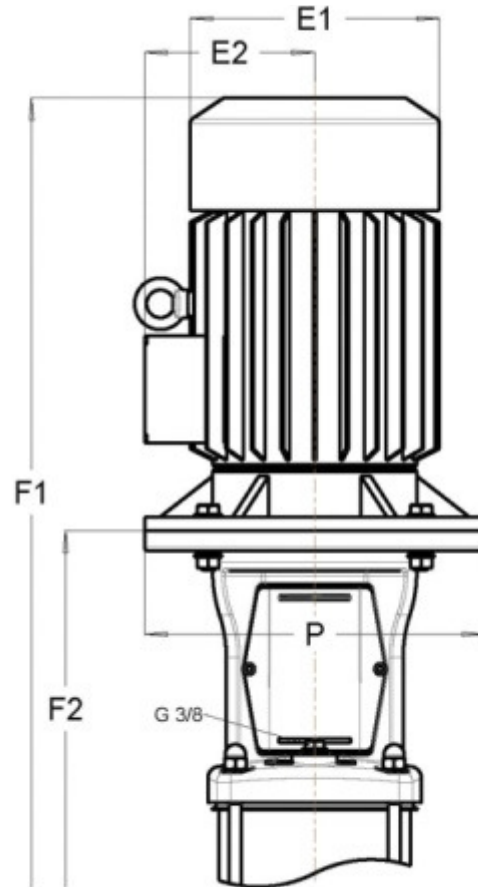
Duty Point
 ● Actual
 □ Required

Dimensions sheet

Part number **290252352040D**

Description **DPVF 25/4 B~Flanged NW65~7,5kW 400/690V~50Hz 2P~IEC 132S~~Easy Access Ca SiC EPDM**

Vertical centrifugal pump, suction and discharge connections in-line.



| | |
|-------------------|--------|
| Motor width (E1) | 266mm |
| Motor width (E2) | 178mm |
| Total height (F1) | 1064mm |
| Total height (F2) | 699mm |
| Total net weight | 117kg |

Motor specifications

Part number **3710112075**

Description **Motor DMC 7,5kW 400/690V 2P IE2 132S IP55 3xPTC Pos. 801**

Electric Data

| | |
|------------------------|-----------------------|
| Rated power output | 7,5kW |
| Maximum power output | 9,6kW |
| Rated voltage | 400/690V |
| Phases | 3ph |
| Frequency | 50/60Hz |
| Voltage range | 360-440/621-759V |
| Motor poles | 2P |
| ATEX class | |
| Duty class | S1 |
| Insulation class | F (rise-B) |
| Moment of inertia | 0,017kgm ² |
| Motor standard | IEC |
| Capacitor | |
| Motor efficiency | 88,6/87,4% |
| Motor efficiency class | IE2 |

Mechanical data

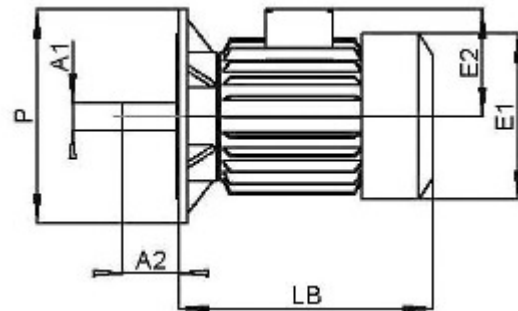
| | |
|-------------------------|--------------|
| Shaft execution | smooth shaft |
| Maximum starts per hour | 20 |
| Cable gland | 2xM25x1,5 |
| VFD allowance | VFD allowed |

Dimensions

| | |
|-----------------------------|-------------------------|
| Diameter shaft A1 | 38mm |
| Length shaft A2 | 80mm |
| Diameter motor E1 | 266mm |
| Terminal box height E2 | 178mm |
| Diameter flange P | 300mm |
| L. motor (without shaft) LB | 457mm |
| Frame size | 132S |
| Motor construction type | IM V1 |
| Motor face | IEC 60034-7 Form FF 265 |

50Hz

| | |
|---------------------------------|------------|
| Tolerance rated voltage | ±10% |
| Rated speed | 2920rpm |
| Starting current factor (Ia/In) | 8.5 |
| Rated current (In) | 13,2/7,7A |
| Maximum current (Imax) | 17,6/10,2A |
| Rated Cos phi | 0.92 |
| Sound pressure | 64dB(A) |
| Rated nominal torque | 24,5Nm |
| Rated starting torque | 66,2Nm |



60Hz

| | |
|---------------------------------|------------|
| Tolerance rated voltage | +20%,-10% |
| Rated speed | 3500rpm |
| Starting current factor (Ia/In) | 7.3 |
| Rated current (In) | 13,2/7,7A |
| Maximum current (Imax) | 17,6/10,2A |
| Rated Cos phi | 0.94 |
| Sound pressure | 68dB(A) |
| Rated nominal torque | 20,5Nm |
| Rated starting torque | 43,5Nm |

Bearings / lubrication

| | |
|----------------------|-------------------------|
| Grease nipple | |
| Bearing fixation pos | D-end |
| D-end bearing type | 6308-2Z-C3 |
| Bearing grease | Lithium based -20%/+160 |

Details

| | |
|-----------------------|------------------|
| Motor label | DMC |
| Weight | 53kg |
| Lifting lugs | 2 x M10 |
| Motor finish | RAL5002 |
| Rated max. amb. temp. | 40°C |
| Material housing | Cast Iron JL1040 |

Motor protection

| | |
|--------------------------|-------|
| Motor protection class | IP55 |
| Temperature sensor | 3xPTC |
| Rain cover | |
| Anti condensation heater | |