

Technical specifications sheet

Part number **22455030**

Description **DPVF 45-30~Flanged NW80~11,0kW 400/690V~50Hz 2P~IEC 160M~~Cartridge Ca SiC EPDM**

Vertical centrifugal pump, suction and discharge connections in-line.

Quotation details

Quotation number

Project

Position

Search criteria

Medium to be pumped Water
 Flow 45.00 l/sec
 Pressure 500.0 kPa

Hydraulic efficiency

Minimum efficiency index according: MEI ? 0.10
 Commission Regulation (EU) No 547/2012

Actual duty point

Flow 54 l/sec
 Pressure 500.3 kPa
 NPSH 4.1 m
 Efficiency 65 %
 Motor power 41.57 kW
 Frequency 50.0Hz
 No of duty pumps 4

Best efficiency point

Flow 48.8 l/sec
 Pressure 541.1 kPa
 NPSH 3.3 m
 Efficiency 65.8 %
 Motor power 40.15 kW
 Frequency 50Hz

Connection base

Connection type Flanged
 DIN connection standard EN 1092-2
 ASME connection standard
 JIS connection standard
 DIN connection size NW80
 ASME connection size
 JIS connection size
 DIN connection pressure class PN25
 ASME connection pressure class
 JIS connection pressure class
 Material S/D casing AISI304
 Material flanges Cast Iron JL1040
 Material baseplate Cast Iron JL1040

Seal data

Shaft diameter ø 22mm
 Seal diameter ø 25mm
 Construction shaft seal Cartridge
 Seal code 11
 Shaft seal type MG12-G60
 Material mechanical seal B Q1 E GG
 Material shaft seal rotor Ca
 Material shaft seal stator SiC
 Material shaft seal elastomer EPDM
 Material pump elastomer EPDM
 Material seal cover AISI304
 Pressure class shaft seal PN10
 Temperature range shaft seal -20/+100 °C

Basic hydraulic data

Maximum working pressure PN25+120 °C
 Maximum liquid temperature 120 °C+PN25
 Minimum liquid temperature -20 °C
 Material hydraulic AISI304

Plug

Air relieve construction Vent. plug
 Material plug Brass

For details contact

DP Pumps
 PO Box 28
 2400AA Alphen a/d Rijn
 The Netherlands

NL



Hydraulic performance sheet

Part number **22455030**

Description **DPVF 45-30~Flanged NW80~11,0kW 400/690V~50Hz 2P~IEC 160M~~Cartridge Ca SiC EPDM**

Vertical centrifugal pump, suction and discharge connections in-line.

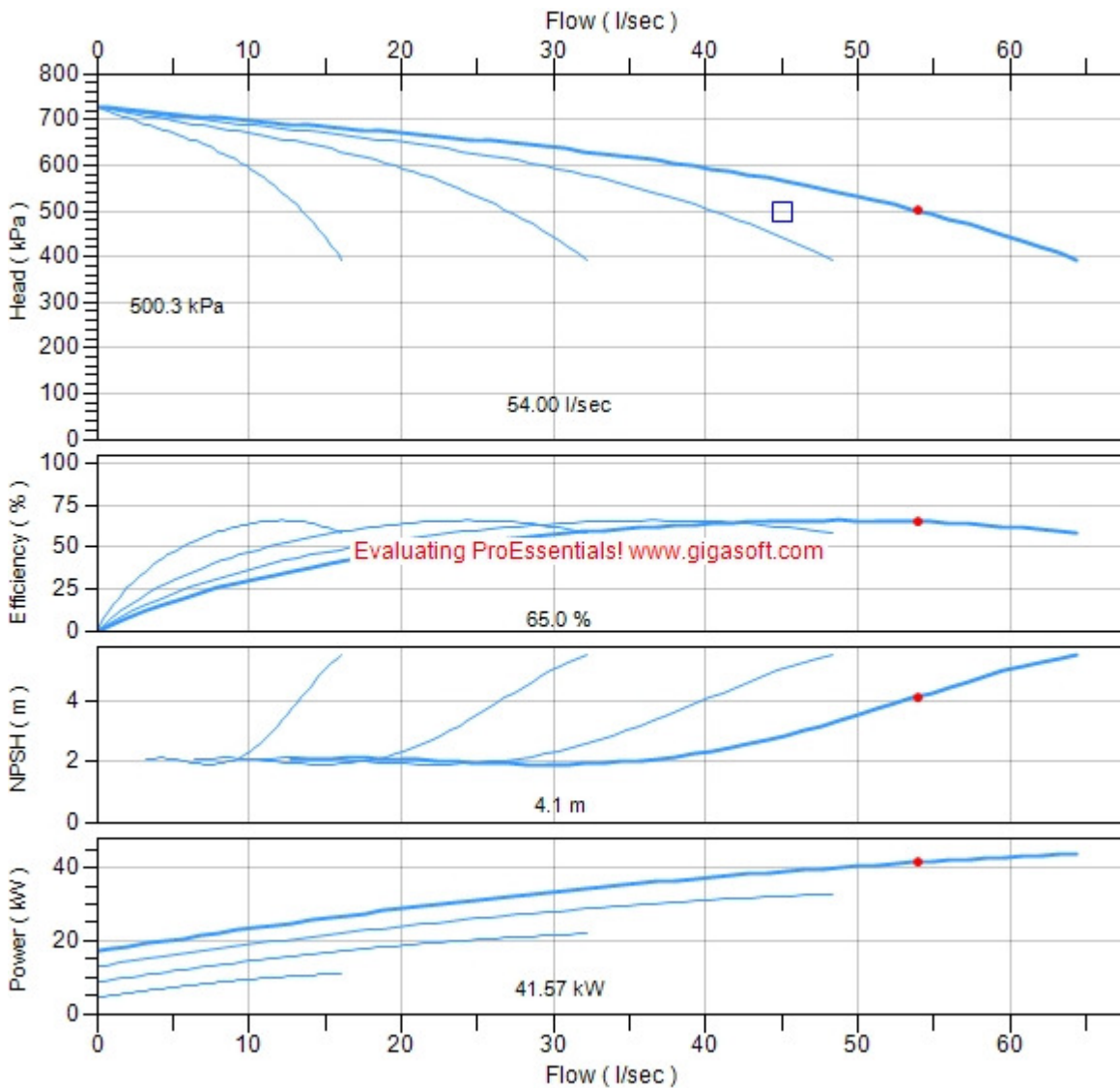
Search criteria

Medium to be pumped

Flow 45.00 l/sec
 Pressure 500.0 kPa

Actual duty point

Flow 54.00 l/sec
 Pressure 500.3 kPa
 Efficiency 65.0 %
 NPSH 4.1 m
 Power 41.57 kW
 Frequency 50.0Hz



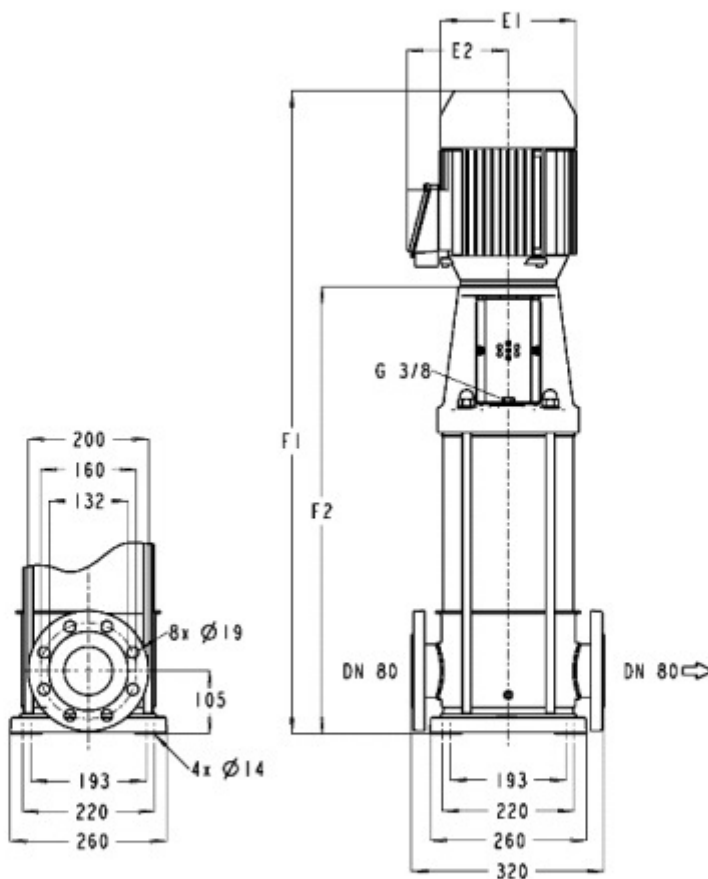
Duty Point
 ● Actual
 □ Required

Dimensions sheet

Part number **22455030**

Description **DPVF 45-30~Flanged NW80~11,0kW 400/690V~50Hz 2P~IEC 160M~~Cartridge Ca SiC EPDM**

Vertical centrifugal pump, suction and discharge connections in-line.



Motor width (E1)	315mm
Motor width (E2)	204mm
Total height (F1)	1182mm
Total height (F2)	680mm
Total net weight	164kg

Motor specifications

Part number **3710112110**

Description **Motor DMC 11kW 400/690V 2P IE2 160M IP55 3xPTC Pos. 801**

Electric Data

Rated power output	11kW
Maximum power output	14,5kW
Rated voltage	400/690V
Phases	3ph
Frequency	50/60Hz
Voltage range	360-420/621-725V
Motor poles	2P
ATEX class	
Duty class	S1
Insulation class	F (rise-B)
Moment of inertia	0,042kgm ²
Motor standard	IEC
Capacitor	
Motor efficiency	90/90%
Motor efficiency class	IE2

50Hz

Tolerance rated voltage	±10%
Rated speed	2950rpm
Starting current factor (Ia/In)	7.8
Rated current (In)	21,0/12,2A
Maximum current (Imax)	27,3/15,8A
Rated Cos phi	0.84
Sound pressure	71dB(A)
Rated nominal torque	35,6Nm
Rated starting torque	78,3Nm

60Hz

Tolerance rated voltage	+20%,-10%
Rated speed	3530rpm
Starting current factor (Ia/In)	6.7
Rated current (In)	19,8/11,5A
Maximum current (Imax)	27,3/15,8A
Rated Cos phi	0.89
Sound pressure	75dB(A)
Rated nominal torque	29,8Nm
Rated starting torque	47,4Nm

Motor protection

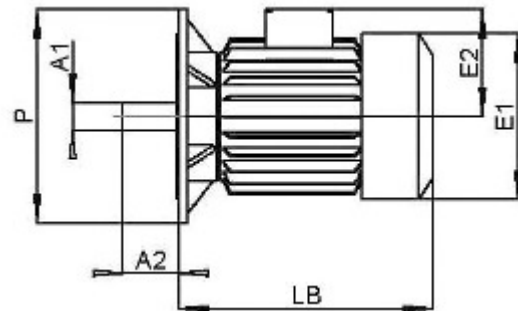
Motor protection class	IP55
Temperature sensor	3xPTC
Rain cover	
Anti condensation heater	

Mechanical data

Shaft execution	smooth shaft
Maximum starts per hour	15
Cable gland	2xM32x1,5
VFD allowance	VFD allowed

Dimensions

Diameter shaft A1	42mm
Length shaft A2	110mm
Diameter motor E1	315mm
Terminal box height E2	204mm
Diameter flange P	350mm
L. motor (without shaft) LB	502mm
Frame size	160M
Motor construction type	IM V1
Motor face	IEC 60034-7 Form FF 300



Bearings / lubrication

Grease nipple	D-end
Bearing fixation pos	D-end
D-end bearing type	7309
Bearing grease	Lithium based -20%/+160

Details

Motor label	DMC
Weight	109kg
Lifting lugs	2 x M12
Motor finish	RAL5002
Rated max. amb. temp.	40°C
Material housing	Cast Iron JL1040