

Technical specifications sheet

Part number **22455030**

Description **DPVF 45-30~Flanged NW80~11,0kW 400/690V~50Hz 2P~IEC 160M~~Cartridge Ca SiC EPDM**

Vertical centrifugal pump, suction and discharge connections in-line.

Quotation details

Quotation number

Project

Position

Search criteria

Medium to be pumped	Water
Flow	12.00 l/sec
Pressure	50.0 mwc

Hydraulic efficiency

Minimum efficiency index according:	MEI ≥ 0.10
Commission Regulation (EU) No 547/2012	

Actual duty point

Flow	2.35 l/sec
Pressure	50 mwc
NPSH	0 m
Efficiency	33.6 %
Motor power	3.56 kW
Frequency	42.0Hz

Best efficiency point

Flow	12.2 l/sec
Pressure	55.2 mwc
NPSH	3.3 m
Efficiency	65.8 %
Motor power	10.04 kW
Frequency	50Hz

Connection base

Connection type	Flanged
DIN connection standard	EN 1092-2
ASME connection standard	
JIS connection standard	
DIN connection size	NW80
ASME connection size	
JIS connection size	
DIN connection pressure class	PN25
ASME connection pressure class	
JIS connection pressure class	
Material S/D casing	AISI304
Material flanges	Cast Iron JL1040
Material baseplate	Cast Iron JL1040

Seal data

Shaft diameter	ø 22mm
Seal diameter	ø 25mm
Construction shaft seal	Cartridge
Seal code	11
Shaft seal type	MG12-G60
Material mechanical seal	B Q1 E GG
Material shaft seal rotor	Ca
Material shaft seal stator	SiC
Material shaft seal elastomer	EPDM
Material pump elastomer	EPDM
Material seal cover	AISI304
Pressure class shaft seal	PN10
Temperature range shaft seal	-20/+100 °C

Basic hydraulic data

Maximum working pressure	PN25+120 °C
Maximum liquid temperature	120 °C+PN25
Minimum liquid temperature	-20 °C
Material hydraulic	AISI304

Plug

Air relieve construction	Vent. plug
Material plug	Brass

For details contact

DP Pumps
PO Box 28
2400AA Alphen a/d Rijn
The Netherlands

NL



Hydraulic performance sheet

Part number **22455030**

Description **DPVF 45-30~Flanged NW80~11,0kW 400/690V~50Hz 2P~IEC 160M~~Cartridge Ca SiC EPDM**

Vertical centrifugal pump, suction and discharge connections in-line.

Search criteria

Medium to be pumped

Flow 12.00 l/sec

Pressure 50.0 mwc

Actual duty point

Flow 2.35 l/sec

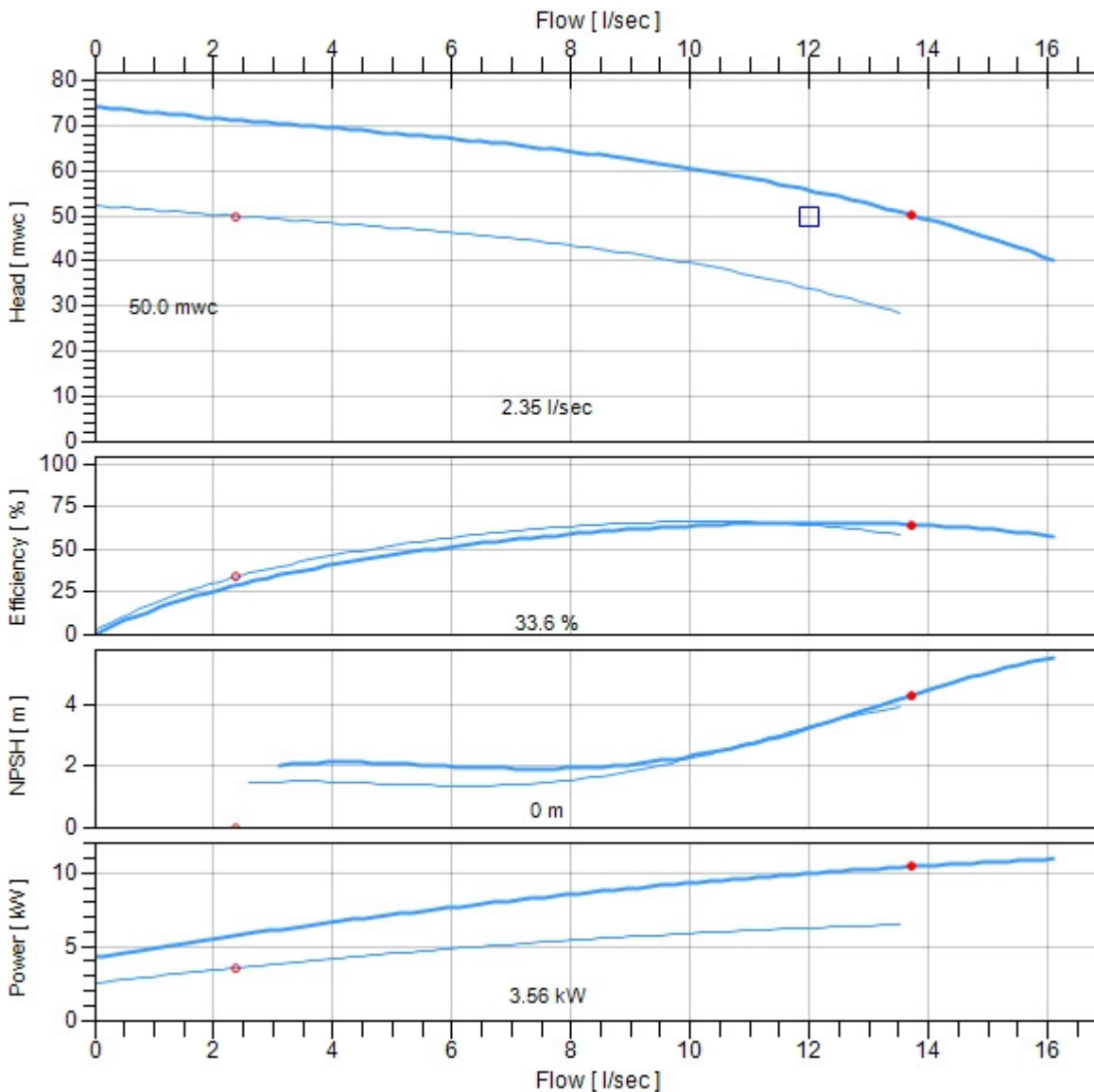
Pressure 50.0 mwc

Efficiency 33.6 %

NPSH 0.0 m

Power 3.56 kW

Frequency 42.0Hz



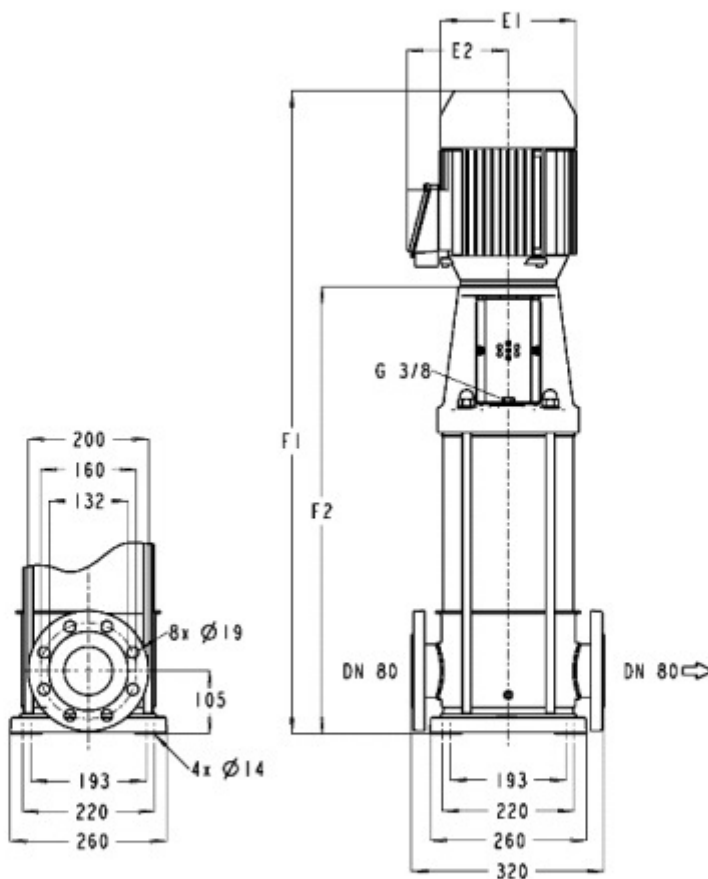
Duty Point
 ● Actual
 □ Required

Dimensions sheet

Part number **22455030**

Description **DPVF 45-30~Flanged NW80~11,0kW 400/690V~50Hz 2P~IEC 160M~~Cartridge Ca SiC EPDM**

Vertical centrifugal pump, suction and discharge connections in-line.



Motor width (E1)	315mm
Motor width (E2)	204mm
Total height (F1)	1182mm
Total height (F2)	680mm
Total net weight	164kg

Motor specifications

Part number **3710112110**

Description **Motor DMC 11kW 400/690V 2P IE2 160M IP55 3xPTC Pos. 801**

Electric Data

Rated power output	11kW
Maximum power output	14,5kW
Rated voltage	400/690V
Phases	3ph
Frequency	50/60Hz
Voltage range	360-420/621-725V
Motor poles	2P
ATEX class	
Duty class	S1
Insulation class	F (rise-B)
Moment of inertia	0,042kgm ²
Motor standard	IEC
Capacitor	
Motor efficiency	90/90%
Motor efficiency class	IE2

50Hz

Tolerance rated voltage	±10%
Rated speed	2950rpm
Starting current factor (Ia/In)	7.8
Rated current (In)	21,0/12,2A
Maximum current (Imax)	27,3/15,8A
Rated Cos phi	0.84
Sound pressure	71dB(A)
Rated nominal torque	35,6Nm
Rated starting torque	78,3Nm

60Hz

Tolerance rated voltage	+20%,-10%
Rated speed	3530rpm
Starting current factor (Ia/In)	6.7
Rated current (In)	19,8/11,5A
Maximum current (Imax)	27,3/15,8A
Rated Cos phi	0.89
Sound pressure	75dB(A)
Rated nominal torque	29,8Nm
Rated starting torque	47,4Nm

Motor protection

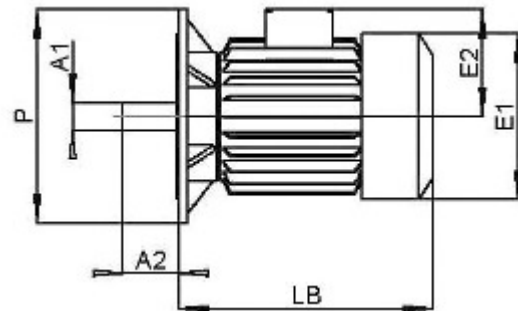
Motor protection class	IP55
Temperature sensor	3xPTC
Rain cover	
Anti condensation heater	

Mechanical data

Shaft execution	smooth shaft
Maximum starts per hour	15
Cable gland	2xM32x1,5
VFD allowance	VFD allowed

Dimensions

Diameter shaft A1	42mm
Length shaft A2	110mm
Diameter motor E1	315mm
Terminal box height E2	204mm
Diameter flange P	350mm
L. motor (without shaft) LB	502mm
Frame size	160M
Motor construction type	IM V1
Motor face	IEC 60034-7 Form FF 300



Bearings / lubrication

Grease nipple	D-end
Bearing fixation pos	D-end
D-end bearing type	7309
Bearing grease	Lithium based -20%/+160

Details

Motor label	DMC
Weight	109kg
Lifting lugs	2 x M12
Motor finish	RAL5002
Rated max. amb. temp.	40°C
Material housing	Cast Iron JL1040