

Technical specifications sheet

Part number **290852352028B**

Description **DPVF 85/3-2 B~Flanged NW100~18,5kW 400/690V~50Hz 2P~IEC 160L~~Easy Access Ca Sic EPDM**

Vertical centrifugal pump, suction and discharge connections in-line.

Quotation details

Quotation number

Project

Position

Search criteria

Medium to be pumped Water
 Flow 80.00 m3/h
 Pressure 520.0 kPa

Hydraulic efficiency

Minimum efficiency index according: MEI ≥ 0.60
 Commission Regulation (EU) No 547/2012

Actual duty point

Flow 16.58 m3/h
 Pressure 520.3 kPa
 NPSH 0 m
 Efficiency 40.6 %
 Motor power 6.04 kW
 Frequency 42.5Hz

Best efficiency point

Flow 71 m3/h
 Pressure 599.9 kPa
 NPSH 1.9 m
 Efficiency 73.7 %
 Motor power 16.05 kW
 Frequency 50Hz

Connection base

Connection type Flanged
 DIN connection standard EN 1092-2
 ASME connection standard ASME B 16.1 cl.125
 JIS connection standard
 DIN connection size NW100
 ASME connection size NPS 4
 JIS connection size
 DIN connection pressure class PN16
 ASME connection pressure class 232PSI
 JIS connection pressure class
 Material S/D casing AISI304
 Material flanges Cast Iron JS1030
 Material baseplate Cast Iron JL1040

Seal data

Shaft diameter ø 22mm
 Seal diameter ø 22mm
 Construction shaft seal Easy Access
 Seal code 11
 Shaft seal type MG12-G60
 Material mechanical seal B Q1 E GG
 Material shaft seal rotor Ca
 Material shaft seal stator Sic
 Material shaft seal elastomer EPDM
 Material pump elastomer EPDM
 Material seal cover AISI304
 Pressure class shaft seal PN10
 Temperature range shaft seal -20/+100 °C

Basic hydraulic data

Maximum working pressure PN40+80 °C
 Maximum liquid temperature 140 °C+PN25
 Minimum liquid temperature -20 °C
 Material hydraulic AISI304

Plug

Air relieve construction Vent. plug
 Material plug AISI304

For details contact

DP Pumps
 PO Box 28
 2400AA Alphen a/d Rijn
 The Netherlands

NL



Hydraulic performance sheet

Part number **290852352028B**

Description **DPVF 85/3-2 B~Flanged NW100~18,5kW 400/690V~50Hz 2P~IEC 160L~~Easy Access Ca Sic EPDM**

Vertical centrifugal pump, suction and discharge connections in-line.

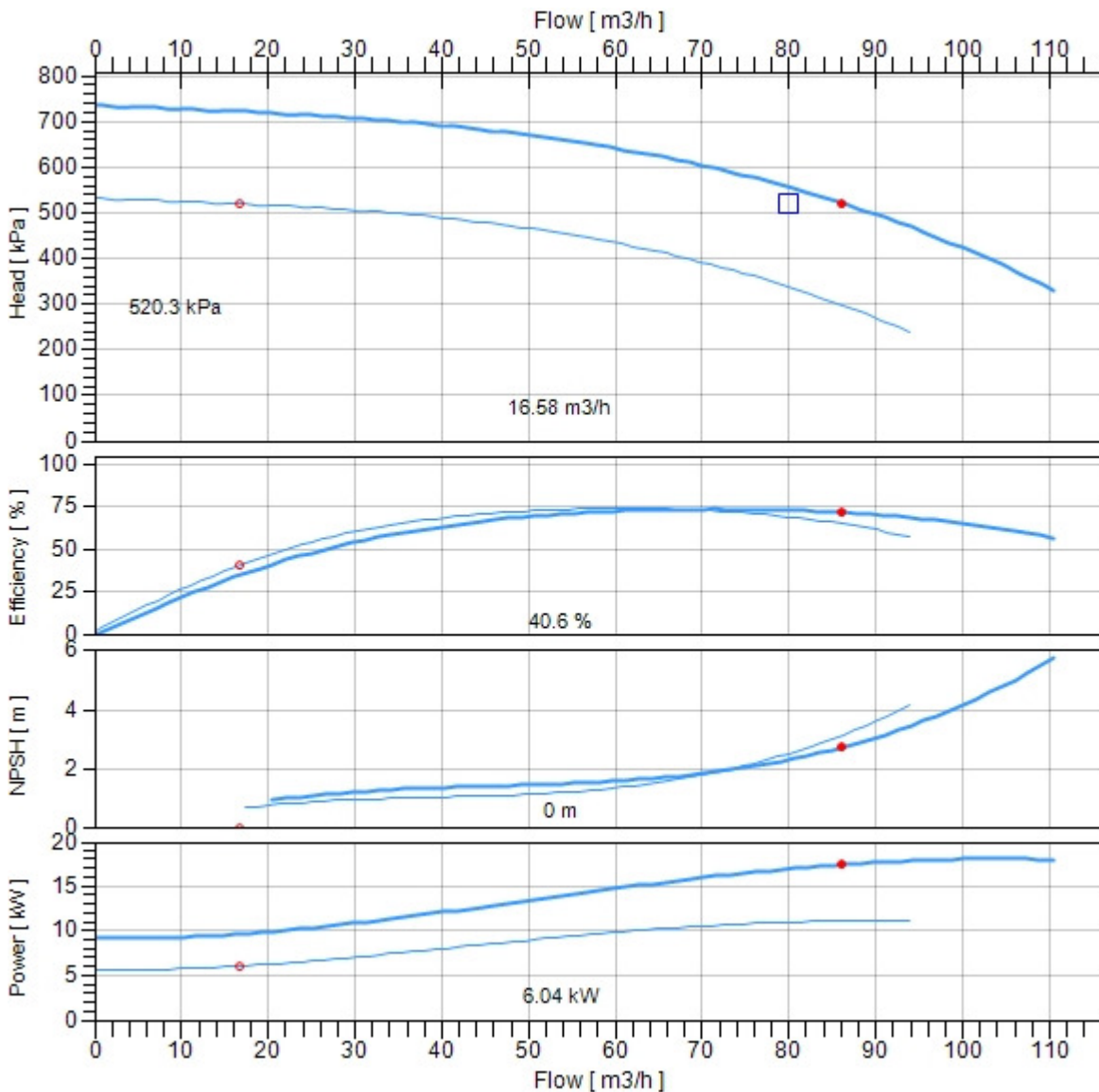
Search criteria

Medium to be pumped

Flow 80.00 m³/h
 Pressure 520.0 kPa

Actual duty point

Flow 16.58 m³/h
 Pressure 520.3 kPa
 Efficiency 40.6 %
 NPSH 0.0 m
 Power 6.04 kW
 Frequency 42.5Hz



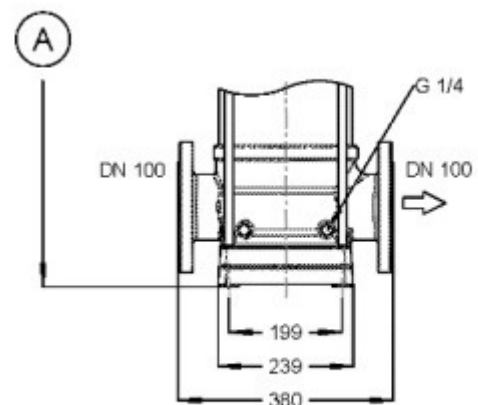
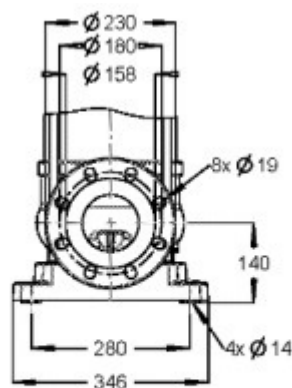
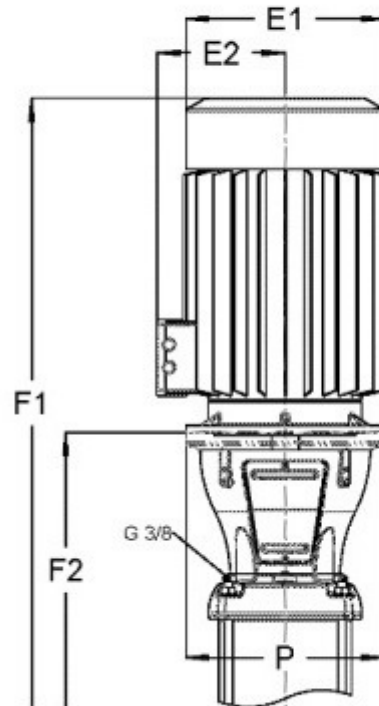
Duty Point
 ● Actual
 □ Required

Dimensions sheet

Part number **290852352028B**

Description **DPVF 85/3-2 B~Flanged NW100~18,5kW 400/690V~50Hz 2P~IEC 160L~~Easy Access Ca Sic EPDM**

Vertical centrifugal pump, suction and discharge connections in-line.



Motor width (E1)	315mm
Motor width (E2)	204mm
Total height (F1)	1469mm
Total height (F2)	889mm
Total net weight	276kg

Motor specifications

Part number **3710112185**

Description **Motor DMC 18,5kW 400/690V 2P IE2 160L IP55 3xPTC Pos. 801**

Electric Data

Rated power output	18,5kW
Maximum power output	23,9kW
Rated voltage	400/690V
Phases	3ph
Frequency	50/60Hz
Voltage range	360-440/594-726V
Motor poles	2P
ATEX class	
Duty class	S1
Insulation class	F (rise-B)
Moment of inertia	0,059kgm ²
Motor standard	IEC
Capacitor	
Motor efficiency	91,3/91,6%
Motor efficiency class	IE2

50Hz

Tolerance rated voltage	±10%
Rated speed	2950rpm
Starting current factor (Ia/In)	9.3
Rated current (In)	33,6/19,5A
Maximum current (Imax)	42,2/24,4A
Rated Cos phi	0.87
Sound pressure	73dB(A)
Rated nominal torque	59,9Nm
Rated starting torque	173,7Nm

60Hz

Tolerance rated voltage	+20%,-10%
Rated speed	3540rpm
Starting current factor (Ia/In)	8
Rated current (In)	32,0/18,6A
Maximum current (Imax)	42,2/24,4A
Rated Cos phi	0.91
Sound pressure	77dB(A)
Rated nominal torque	49,9Nm
Rated starting torque	104,8Nm

Motor protection

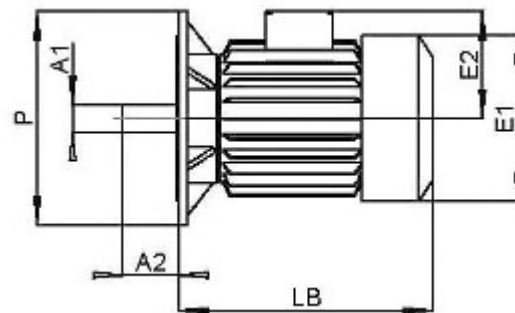
Motor protection class	IP55
Temperature sensor	3xPTC
Rain cover	
Anti condensation heater	

Mechanical data

Shaft execution	smooth shaft
Maximum starts per hour	15
Cable gland	2xM32x1,5
VFD allowance	VFD allowed

Dimensions

Diameter shaft A1	42mm
Length shaft A2	110mm
Diameter motor E1	315mm
Terminal box height E2	204mm
Diameter flange P	350mm
L. motor (without shaft) LB	542mm
Frame size	160L
Motor construction type	IM V1
Motor face	IEC 60034-7 Form FF 300



Bearings / lubrication

Grease nipple	D-end
Bearing fixation pos	D-end
D-end bearing type	7309
Bearing grease	Lithium based -20%/+160

Details

Motor label	DMC
Weight	136kg
Lifting lugs	2 x M12
Motor finish	RAL5002
Rated max. amb. temp.	40 °C
Material housing	Cast Iron JL1040