

Technical specifications sheet

Part number **290852352040B**

Description **DPVF 85/4 B~Flanged NW100~30kW 400/690V~50Hz 2P~IEC 200L~~Easy Access SiC Ca EPDM**

Vertical centrifugal pump, suction and discharge connections in-line.

Quotation details

Quotation number

Project

Position

Search criteria

Medium to be pumped Water
 Flow 60.00 l/sec
 Pressure 9.0 bar

Hydraulic efficiency

Minimum efficiency index according: MEI \geq 0.60
 Commission Regulation (EU) No 547/2012

Actual duty point

Flow 64.8 l/sec
 Pressure 9 bar
 NPSH 2.2 m
 Efficiency 76.6 %
 Motor power 76.45 kW
 Frequency 50.0Hz
 No of duty pumps 3

Best efficiency point

Flow 68.4 l/sec
 Pressure 8.8 bar
 NPSH 2.4 m
 Efficiency 76.8 %
 Motor power 78.16 kW
 Frequency 50Hz

Connection base

Connection type Flanged
 DIN connection standard EN 1092-2
 ASME connection standard ASME B 16.1 cl.125
 JIS connection standard
 DIN connection size NW100
 ASME connection size NPS 4
 JIS connection size
 DIN connection pressure class PN16
 ASME connection pressure class 232PSI
 JIS connection pressure class
 Material S/D casing AISI304
 Material flanges Cast Iron JS1030
 Material baseplate Cast Iron JL1040

Seal data

Shaft diameter \varnothing 22mm
 Seal diameter \varnothing 22mm
 Construction shaft seal Easy Access
 Seal code 23
 Shaft seal type RMG12-G606
 Material mechanical seal Q1 B E GG
 Material shaft seal rotor SiC
 Material shaft seal stator Ca
 Material shaft seal elastomer EPDM
 Material pump elastomer EPDM
 Material seal cover AISI304
 Pressure class shaft seal PN25
 Temperature range shaft seal -20/+100 °C

Basic hydraulic data

Maximum working pressure PN40+80 °C
 Maximum liquid temperature 140 °C+PN25
 Minimum liquid temperature -20 °C
 Material hydraulic AISI304

Plug

Air relieve construction Vent. plug
 Material plug AISI304

For details contact

DP Pumps
 PO Box 28
 2400AA Alphen a/d Rijn
 The Netherlands

NL



Hydraulic performance sheet

Part number **290852352040B**

Description **DPVF 85/4 B~Flanged NW100~30kW 400/690V~50Hz 2P~IEC 200L~~Easy Access SiC Ca EPDM**

Vertical centrifugal pump, suction and discharge connections in-line.

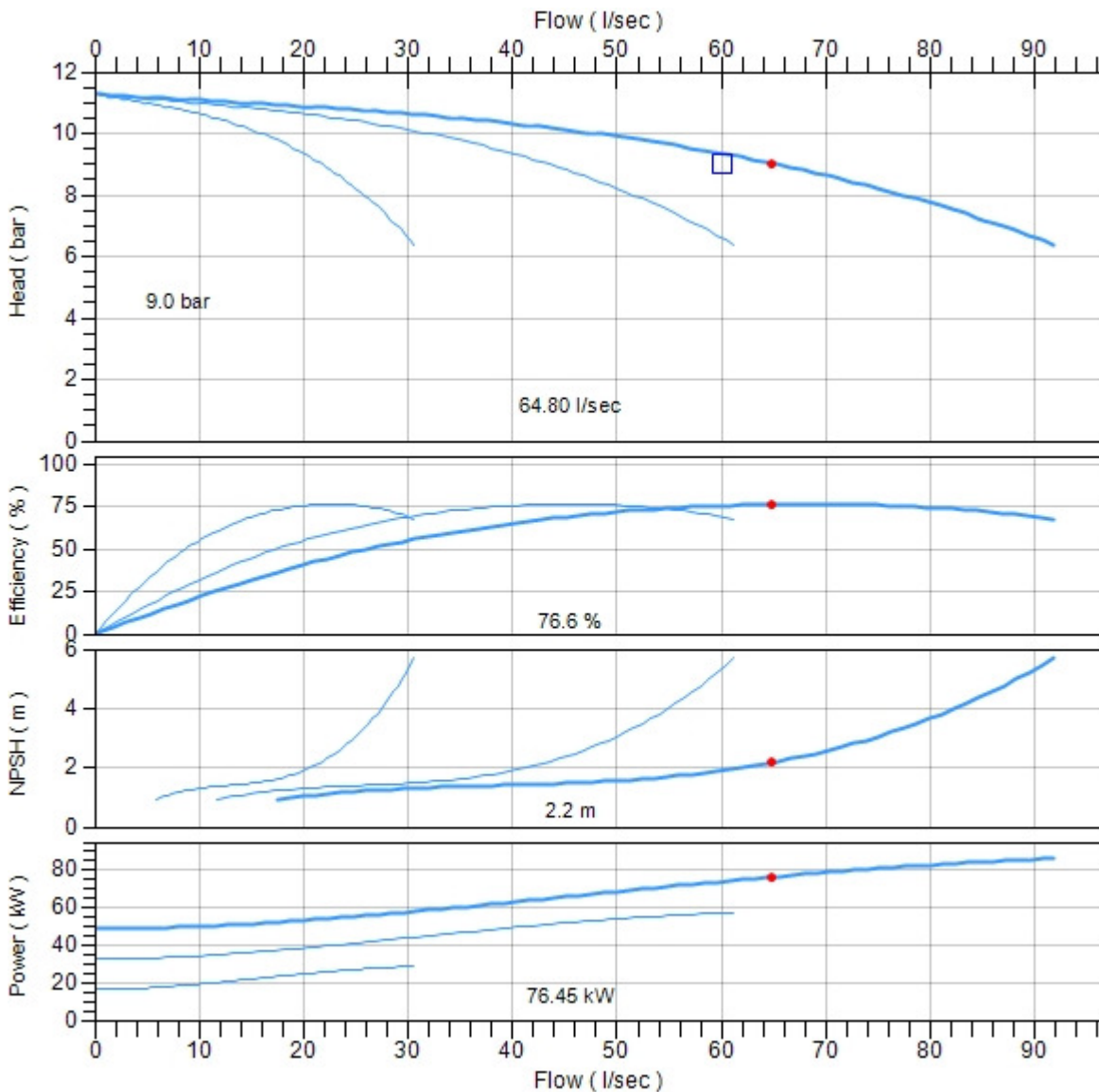
Search criteria

Medium to be pumped

Flow 60.00 l/sec
 Pressure 9.0 bar

Actual duty point

Flow 64.80 l/sec
 Pressure 9.0 bar
 Efficiency 76.6 %
 NPSH 2.2 m
 Power 76.45 kW
 Frequency 50.0Hz



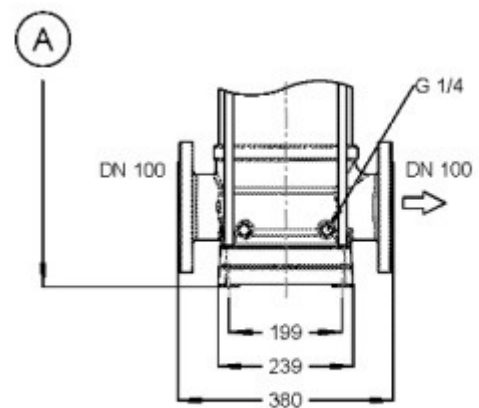
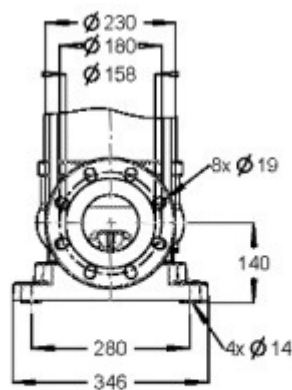
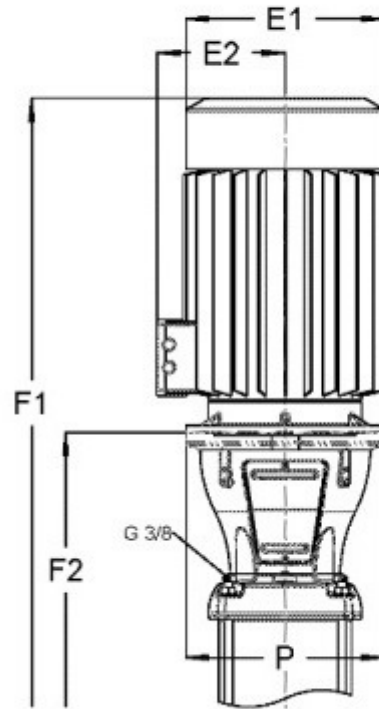
Duty Point
 ● Actual
 □ Required

Dimensions sheet

Part number **290852352040B**

Description **DPVF 85/4 B~Flanged NW100~30kW 400/690V~50Hz 2P~IEC 200L~~Easy Access SiC Ca EPDM**

Vertical centrifugal pump, suction and discharge connections in-line.



Motor width (E1)	398mm
Motor width (E2)	310mm
Total height (F1)	1648mm
Total height (F2)	998mm
Total net weight	406kg

Motor specifications

Part number **3700112300**

Description **Motor DMW 30kW 400/690V 2P EFF1/IE2 200L IP55 3xPTC Pos. 801**

Electric Data

Rated power output	30kW
Maximum power output	37kW
Rated voltage	400/690V
Phases	3ph
Frequency	50/60Hz
Voltage range	360-440/594-726V
Motor poles	2P
ATEX class	
Duty class	S1
Insulation class	F (rise-B)
Moment of inertia	0,173kgm ²
Motor standard	IEC
Capacitor	
Motor efficiency	92,9%/94,76%
Motor efficiency class	EFF1/IE2

50Hz

Tolerance rated voltage	±10%
Rated speed	2950rpm
Starting current factor (Ia/In)	7.5
Rated current (In)	51,8/29,9A
Maximum current (Imax)	57,18/33,14A
Rated Cos phi	0.91
Sound pressure	80dB(A)
Rated nominal torque	97,1Nm
Rated starting torque	194,2Nm

60Hz

Tolerance rated voltage	+20%, -5%
Rated speed	3540rpm
Starting current factor (Ia/In)	6.4
Rated current (In)	49,72/28,82A
Maximum current (Imax)	56,73/32,74A
Rated Cos phi	0.9191
Sound pressure	80dB(A)
Rated nominal torque	80,9Nm
Rated starting torque	161,8Nm

Motor protection

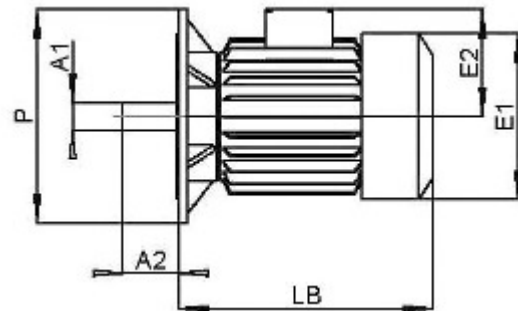
Motor protection class	IP55
Temperature sensor	3xPTC
Rain cover	
Anti condensation heater	

Mechanical data

Shaft execution	smooth shaft
Maximum starts per hour	12
Cable gland	2xM50x1,5
VFD allowance	VFD allowed

Dimensions

Diameter shaft A1	55mm
Length shaft A2	110mm
Diameter motor E1	398mm
Terminal box height E2	310mm
Diameter flange P	400mm
L. motor (without shaft) LB	650mm
Frame size	200L
Motor construction type	IM V1
Motor face	IEC 60034-7 Form FF 350



Bearings / lubrication

Grease nipple	D-end
Bearing fixation pos	D-end
D-end bearing type	7312-BEP
Bearing grease	Lithium based -30%+160

Details

Motor label	DMW
Weight	223kg
Lifting lugs	
Motor finish	RAL5002
Rated max. amb. temp.	40 °C
Material housing	Cast Iron JL1040