

## Technical specifications sheet

Part number **290852352038B**

Description **DPVF 85/4-2 B~Flanged NW100~30kW 400/690V~50Hz 2P~IEC 200L~~Easy Access SiC Ca EPDM**

Vertical centrifugal pump, suction and discharge connections in-line.

### Quotation details

Quotation number

Project

Position

### Search criteria

Medium to be pumped Water  
 Flow 30.00 l/sec  
 Pressure 50.0 mwc

### Hydraulic efficiency

Minimum efficiency index according: MEI ? 0.60  
 Commission Regulation (EU) No 547/2012

### Actual duty point

Flow 1.26 l/sec  
 Pressure 50 mwc  
 NPSH 0 m  
 Efficiency 16.6 %  
 Motor power 4.56 kW  
 Frequency 35.0Hz

### Best efficiency point

Flow 20.6 l/sec  
 Pressure 81.5 mwc  
 NPSH 2 m  
 Efficiency 74.3 %  
 Motor power 22.15 kW  
 Frequency 50Hz

### Connection base

Connection type Flanged  
 DIN connection standard EN 1092-2  
 ASME connection standard ASME B 16.1 cl.125  
 JIS connection standard  
 DIN connection size NW100  
 ASME connection size NPS 4  
 JIS connection size  
 DIN connection pressure class PN16  
 ASME connection pressure class 232PSI  
 JIS connection pressure class  
 Material S/D casing AISI304  
 Material flanges Cast Iron JS1030  
 Material baseplate Cast Iron JL1040

### Seal data

Shaft diameter ø 22mm  
 Seal diameter ø 22mm  
 Construction shaft seal Easy Access  
 Seal code 23  
 Shaft seal type RMG12-G606  
 Material mechanical seal Q1 B E GG  
 Material shaft seal rotor SiC  
 Material shaft seal stator Ca  
 Material shaft seal elastomer EPDM  
 Material pump elastomer EPDM  
 Material seal cover AISI304  
 Pressure class shaft seal PN25  
 Temperature range shaft seal -20/+100 °C

### Basic hydraulic data

Maximum working pressure PN40+80 °C  
 Maximum liquid temperature 140 °C+PN25  
 Minimum liquid temperature -20 °C  
 Material hydraulic AISI304

### Plug

Air relieve construction Vent. plug  
 Material plug AISI304

### For details contact

DP Pumps  
 PO Box 28  
 2400AA Alphen a/d Rijn  
 The Netherlands

NL



**Hydraulic performance sheet**

Part number **290852352038B**

Description **DPVF 85/4-2 B~Flanged NW100~30kW 400/690V~50Hz 2P~IEC 200L~~Easy Access SiC Ca EPDM**

Vertical centrifugal pump, suction and discharge connections in-line.

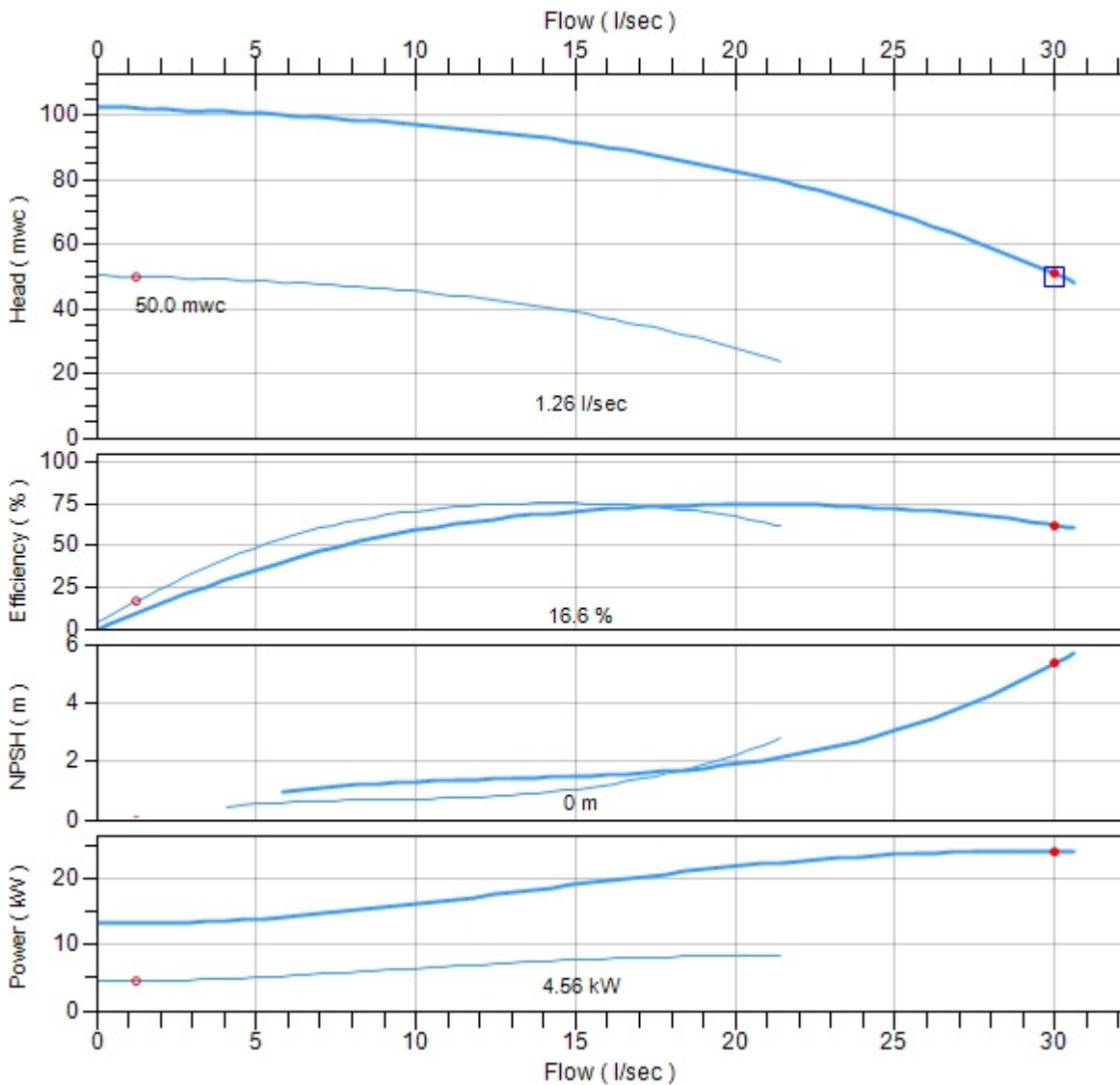
**Search criteria**

Medium to be pumped

Flow 30.00 l/sec  
Pressure 50.0 mwc

**Actual duty point**

Flow 1.26 l/sec  
Pressure 50.0 mwc  
Efficiency 16.6 %  
NPSH 0.0 m  
Power 4.56 kW  
Frequency 35.0Hz



Evaluating ProEssentials! [www.gigasoft.com](http://www.gigasoft.com)

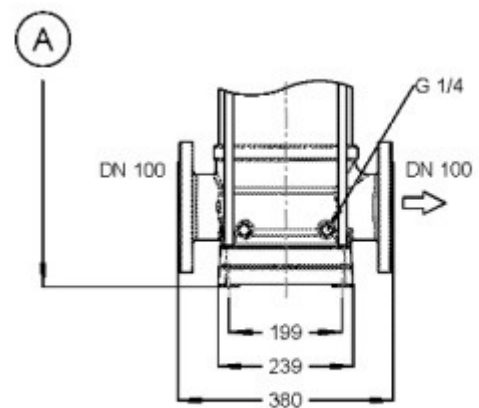
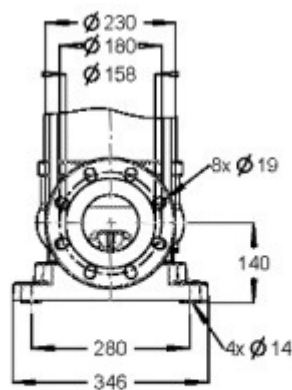
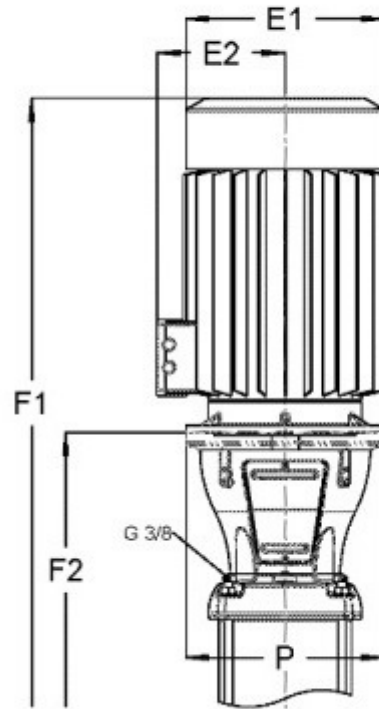
- Duty Point
- Actual
- Required

Dimensions sheet

Part number **290852352038B**

Description **DPVF 85/4-2 B~Flanged NW100~30kW 400/690V~50Hz 2P~IEC 200L~~Easy Access SiC Ca EPDM**

Vertical centrifugal pump, suction and discharge connections in-line.



Motor width (E1)	398mm
Motor width (E2)	310mm
Total height (F1)	1648mm
Total height (F2)	998mm
Total net weight	406kg

**Motor specifications**

Part number **3700112300**

Description **Motor DMW 30kW 400/690V 2P EFF1/IE2 200L IP55 3xPTC Pos. 801**

**Electric Data**

Rated power output	30kW
Maximum power output	37kW
Rated voltage	400/690V
Phases	3ph
Frequency	50/60Hz
Voltage range	360-440/594-726V
Motor poles	2P
ATEX class	
Duty class	S1
Insulation class	F (rise-B)
Moment of inertia	0,173kgm <sup>2</sup>
Motor standard	IEC
Capacitor	
Motor efficiency	92,9%/94,76%
Motor efficiency class	EFF1/IE2

**Mechanical data**

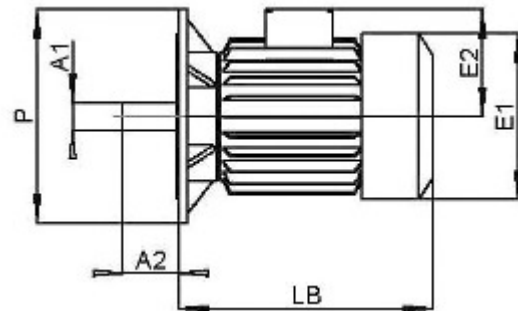
Shaft execution	smooth shaft
Maximum starts per hour	12
Cable gland	2xM50x1,5
VFD allowance	VFD allowed

**Dimensions**

Diameter shaft A1	55mm
Length shaft A2	110mm
Diameter motor E1	398mm
Terminal box height E2	310mm
Diameter flange P	400mm
L. motor (without shaft) LB	650mm
Frame size	200L
Motor construction type	IM V1
Motor face	IEC 60034-7 Form FF 350

**50Hz**

Tolerance rated voltage	±10%
Rated speed	2950rpm
Starting current factor (Ia/In)	7.5
Rated current (In)	51,8/29,9A
Maximum current (Imax)	57,18/33,14A
Rated Cos phi	0.91
Sound pressure	80dB(A)
Rated nominal torque	97,1Nm
Rated starting torque	194,2Nm



**60Hz**

Tolerance rated voltage	+20%, -5%
Rated speed	3540rpm
Starting current factor (Ia/In)	6.4
Rated current (In)	49,72/28,82A
Maximum current (Imax)	56,73/32,74A
Rated Cos phi	0.9191
Sound pressure	80dB(A)
Rated nominal torque	80,9Nm
Rated starting torque	161,8Nm

**Bearings / lubrication**

Grease nipple	D-end
Bearing fixation pos	D-end
D-end bearing type	7312-BEP
Bearing grease	Lithium based -30%+160

**Details**

Motor label	DMW
Weight	223kg
Lifting lugs	
Motor finish	RAL5002
Rated max. amb. temp.	40 °C
Material housing	Cast Iron JL1040

**Motor protection**

Motor protection class	IP55
Temperature sensor	3xPTC
Rain cover	
Anti condensation heater	