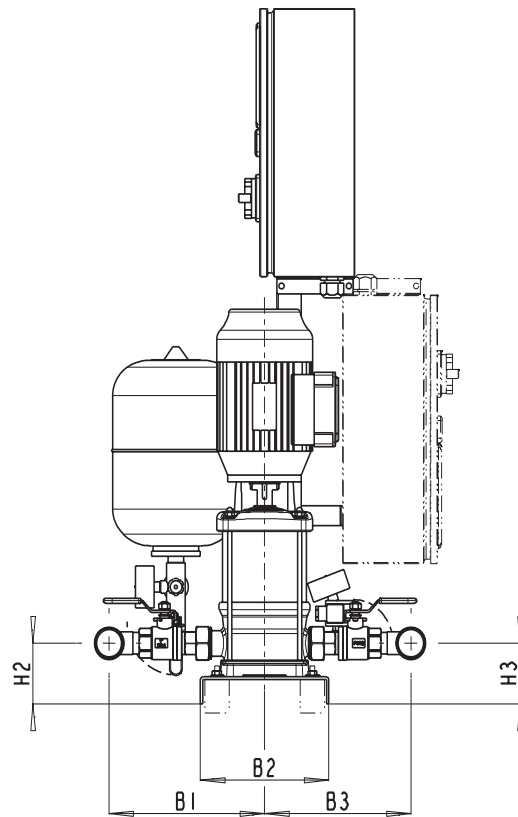
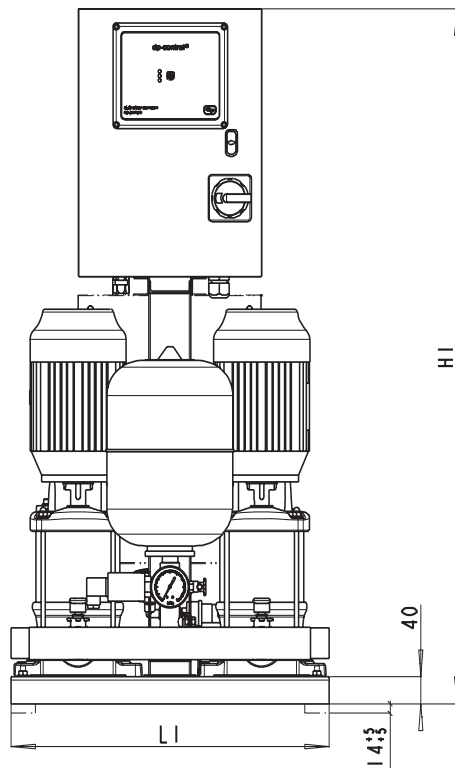
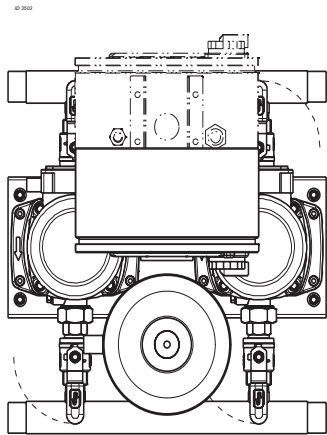


3 Specification

3.1 Dimensions and weights HU standard

3.1.1 HU2 DPV(M)E2/4/6



18

Figure 12: HU2 DPV(M)E2/4/6 DPC

20100136-A

Table 3: General

Control	DPC DOL
Run-dry protection	Pressure Switch
Connection voltage	3x400V+N 50Hz
Insolation class	IP55
Max. fuse	25A
Drawing number	20100136

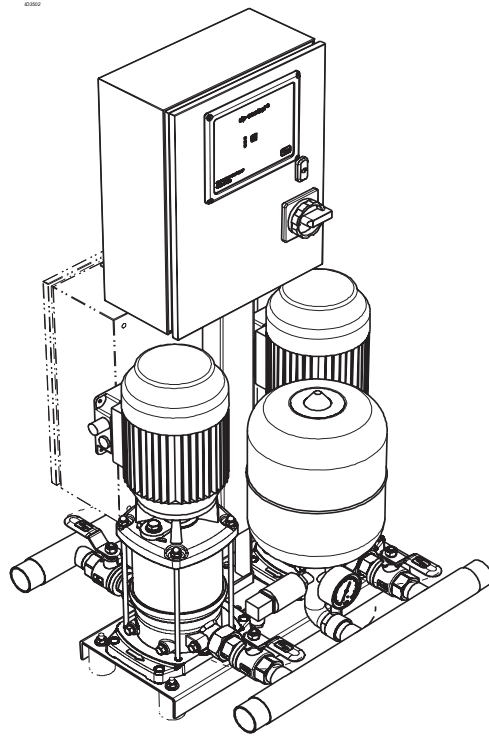


Figure 13: HU2 DPV(M)E2/4/6 DPC

20100136-A

Table 4: Detailed

Article number	Number of pressure stages	Fitting (material - connection)	Collecting pipe (material - connection)	Pressure class	I max installation	Pump speed	H1 [mm]	H2 [mm]	H3 [mm]	B1 [mm]	B2 [mm]	B3 [mm]	L1 [mm]
DPVME2													
HU212201D11N	/2	AISI304 G 1	AISI304 G 6/4	PN10	3.00A	2750rpm	1036	90	90	255	210	240	520
HU212301D11N	/3	AISI304 G 1	AISI304 G 6/4	PN10	3.00A	2750rpm	1036	90	90	255	210	240	520
HU212401D11N	/4	AISI304 G 1	AISI304 G 6/4	PN10	3.00A	2750rpm	1036	90	90	255	210	240	520
HU212501D11N	/5	AISI304 G 1	AISI304 G 6/4	PN10	3.00A	2750rpm	1036	90	90	255	210	240	520
HU212601D11N	/6	AISI304 G 1	AISI304 G 6/4	PN10	4.00A	2790rpm	1036	90	90	255	210	240	520
DPVME4													
HU214201D11N	/2	AISI304 G 1	AISI304 G 6/4	PN10	3.00A	2750rpm	1036	90	90	255	210	240	520
HU214301D11N	/3	AISI304 G 1	AISI304 G 6/4	PN10	4.00A	2790rpm	1036	90	90	255	210	240	520
HU214401D11N	/4	AISI304 G 1	AISI304 G 6/4	PN10	4.00A	2790rpm	1036	90	90	255	210	240	520
HU214501D11N	/5	AISI304 G 1	AISI304 G 6/4	PN10	5.00A	2875rpm	1036	90	90	255	210	240	520
HU214601D11N	/6	AISI304 G 1	AISI304 G 6/4	PN10	6.00A	2875rpm	1036	90	90	255	210	240	520
DPVME6													
HU216201D11N	/2	AISI304 G 1	AISI304 G 6/4	PN10	4.00A	2790rpm	1036	90	90	255	210	240	520
HU216301D11N	/3	AISI304 G 1	AISI304 G 6/4	PN10	5.00A	2875rpm	1036	90	90	255	210	240	520
HU216401D11N	/4	AISI304 G 1	AISI304 G 6/4	PN10	6.00A	2875rpm	1036	90	90	255	210	240	520
HU216501D11N	/5	AISI304 G 1	AISI304 G 6/4	PN10	6.00A	2875rpm	1036	90	90	255	210	240	520