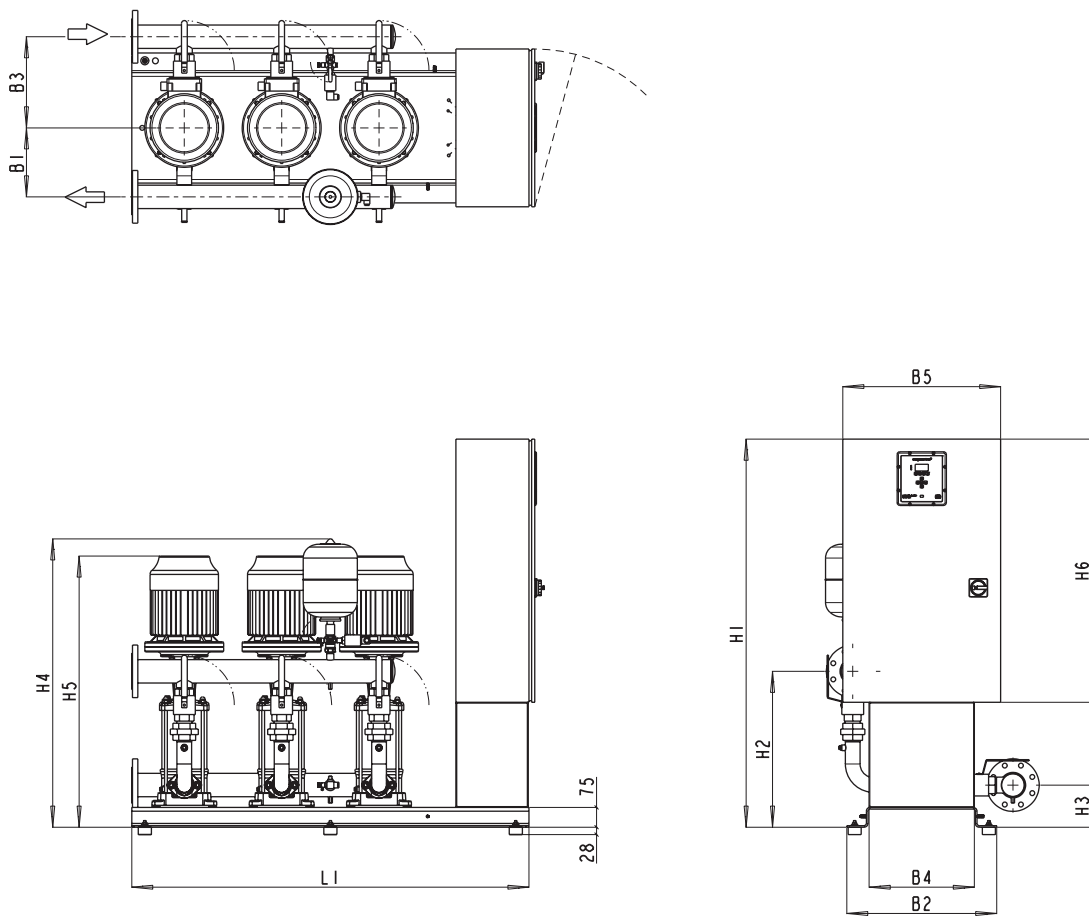


4.2.4 HU3 DPV10/15 MCMF - B



74

Figure 65: HU3 DPV10/15 MCMF - B

Table 83: Dimensions

Pump type	H1 [mm]	H2 [mm]	H3 [mm]	H4 [mm]	H5 [mm]	H6 [mm]	B1 [mm]	B2 [mm]	B3 [mm]	B4 [mm]	B5 [mm]	L1 [mm]	L2 [mm]	L3 [mm]
DPV10	1475	582	160	1075	see table	1000	265	570	340	400	600	1510	NA	300
DPV15	1475	589	160	1085	see table	1000	265	570	350	400	600	1510	NA	300

201001105

Table 84: General

Run-dry protection	Pressure transmitter
Membrane vessel	8 l
Connection voltage	3 x 400 V + N 50 Hz
Protection class	IP55
Drawing number	20101105

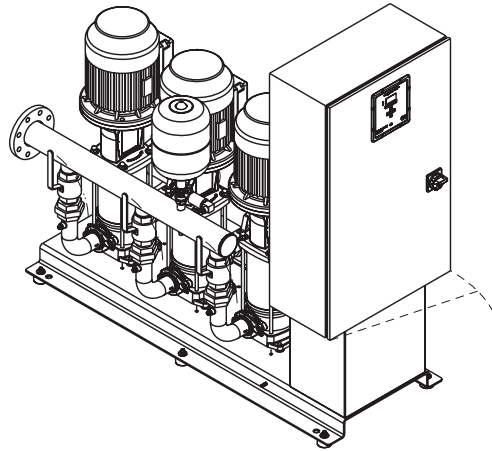


Figure 66: HU3 DPV10/15

20101105

Table 85: Detailed

Article number	st.	Fitting (mat. + conn)	Collecting pipe(mat+con)	Press class	I max Unit	Max fuse	Control	Pump speed	H5 [mm]	Mass [kg]
HU3 DPV10										
HU33A702K64C	/7	AISI304 G 2	AISI304 NW65	PN16	28.75A	40A	MCMF - B	2850 rpm	903	
HU33A802K64C	/8	AISI304 G 2	AISI304 NW65	PN16	28.75A	40A	MCMF - B	2850 rpm	930	
HU33A902K64C	/9	AISI304 G 2	AISI304 NW65	PN16	37.45A	50A	MCMF - B	2850 rpm	966	
HU33AA02K64C	/10	AISI304 G 2	AISI304 NW65	PN16	37.45A	50A	MCMF - B	2850 rpm	993	
HU3 DPV15										
HU33B301L64C	/3	AISI304 G 2	AISI304 NW80	PN10	28.75A	40A	MCMF - B	2850 rpm	797	
HU33B401L64C	/4	AISI304 G 2	AISI304 NW80	PN10	37.45A	50A	MCMF - B	2850 rpm	834	
HU33B502L64C	/5	AISI304 G 2	AISI304 NW80	PN16	51.35A	63A	MCMF - B	2850 rpm	965	
HU33B602L64C	/6	AISI304 G 2	AISI304 NW80	PN16	51.35A	63A	MCMF - B	2850 rpm	991	
HU33B702L64C	/7	AISI304 G 2	AISI304 NW80	PN16	69.00A	80A	MCMF - B	2850 rpm	1018	
HU33B802L64C	/8	AISI304 G 2	AISI304 NW80	PN16	69.00A	80A	MCMF - B	2850 rpm	1044	