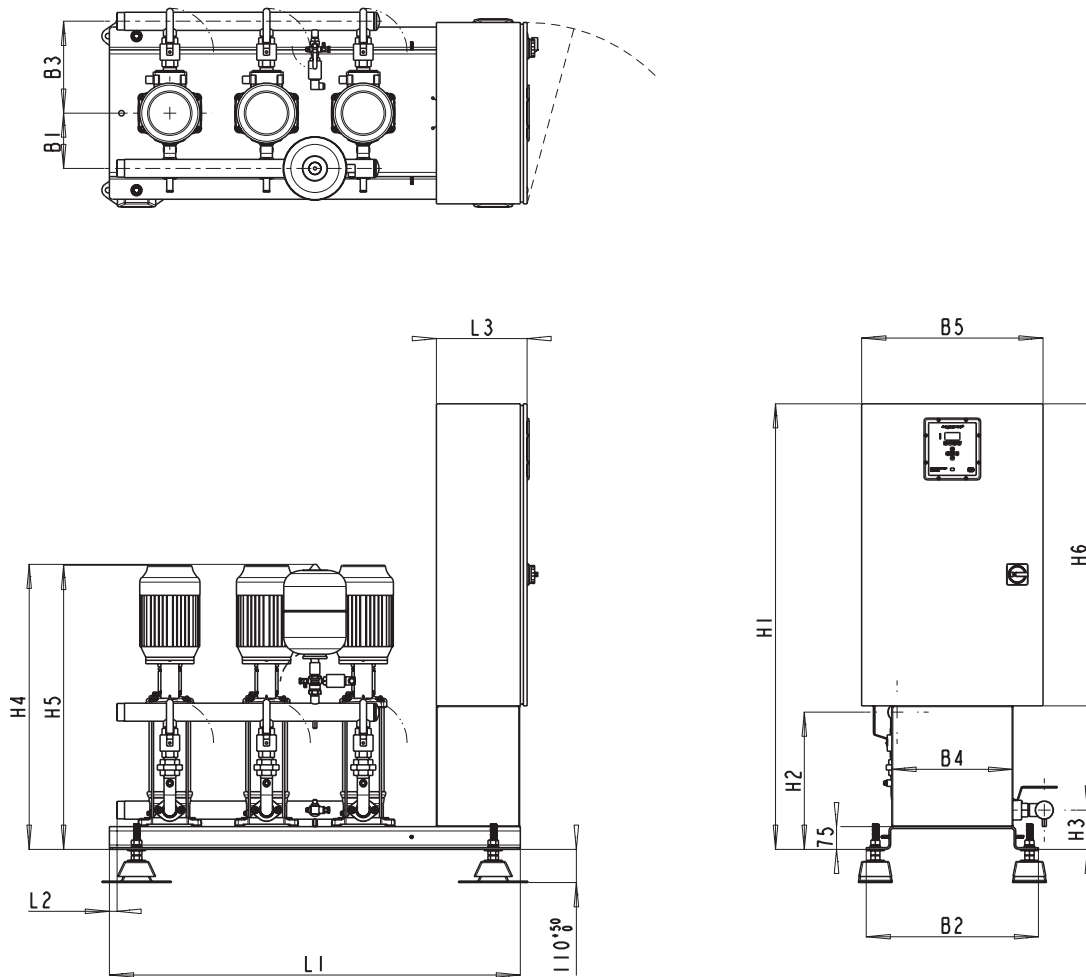


4.2.2 HU3 DPV4/6 MCMF 60 Hz- B



70

Figure 61: HU3 DPV4/6

Table 77: Dimensions

Pump type	H1 [mm]	H2 [mm]	H3 [mm]	H4 [mm]	H5 [mm]	H6 [mm]	B1 [mm]	B2 [mm]	B3 [mm]	B4 [mm]	B5 [mm]	L1 [mm]	L2 [mm]	L3 [mm]
DPV4	1475	449	130	932	see table	1000	183	570	298	400	600	1360	25	300
DPV6	1475	455	130	944	see table	1000	183	570	304	400	600	1360	25	300

20100077-A

Table 78: General

Run-dry protection	Pressure transmitter
Membrane vessel	8 l
Connection voltage	3 x 400 V + N 50 Hz
Protection class	IP55
Drawing number	20100077

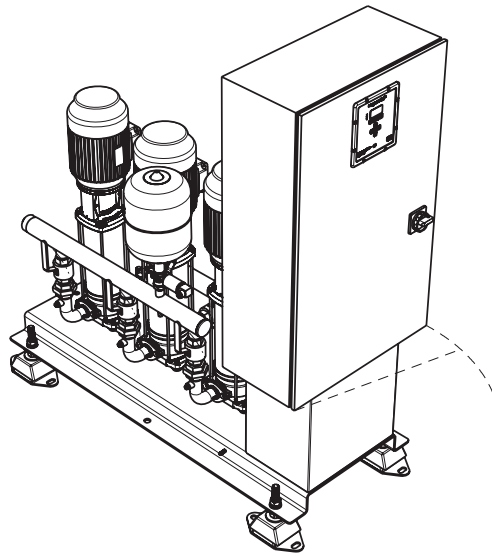


Figure 62: HU3 DPV4/6

20100077-A

Table 79: Detailed

Article number	st.	Fitting (mat. + conn)	Collecting pipe(mat+con)	Press class	I max Unit	Max fuse	Control	Pump speed	H5 [mm]	Mass [kg]
HU3 DPV4										
HU334902D64A	/9	AISI304 G 5/4	AISI304 G 6/4	PN16	30.00A	40A	MCMF 60Hz-B	3480 rpm	786	250
HU3 DPV6										
HU336702E64A	/7	AISI304 G 5/4	AISI304 G 2	PN16	30.00A	40A	MCMF 60Hz-B	3480 rpm	826	250
HU336802E64A	/8	AISI304 G 5/4	AISI304 G 2	PN16	30.00A	40A	MCMF 60Hz-B	3480 rpm	851	250