

5.2 Dimensions HU3 without cabinet

5.2.1 HU3 DPVF32/45/65/85 without Cabinet

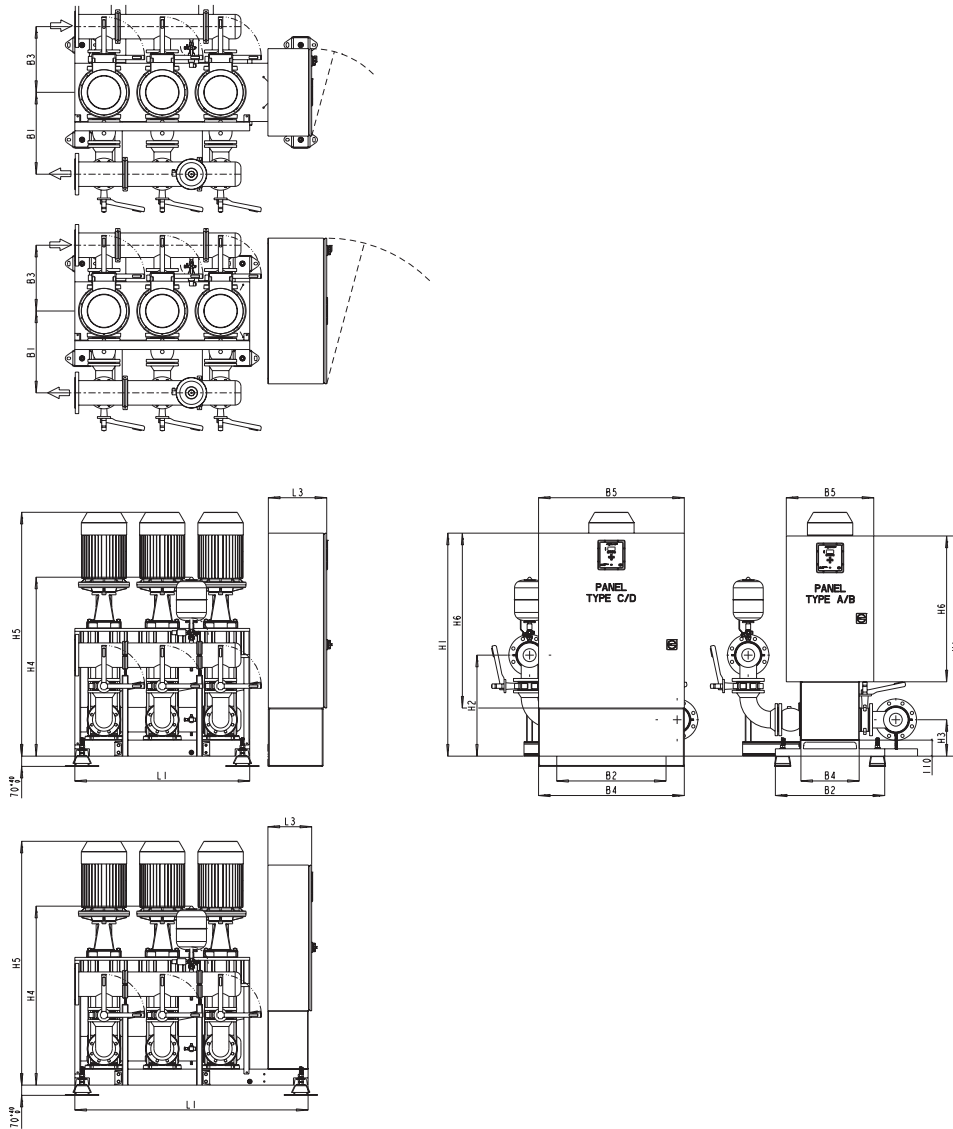


Figure 83: HU3 DPVF32/45/65/85

96



ATTENTION
To complete a booster set with a cabinet use OV number OV10022803

Table 113: Dimensions general

Pumptype	H2 [mm]	H3 [mm]	H4 [mm]	B2 [mm]	B3 [mm]
DPVF32	559	215	1096	750	394
DPVF45	612	215	1147	750	423
DPVF65	691	250	1254	750	450
DPVF85	718	250	1279	750	485

20100737

Table 114: General

Base frame	Base frame A/B
Membrane vessel	8 l
Connection voltage	3 x 400 V + N 50 Hz
Control panel	without control panel
Drawing number	20100736

Table 115: Detailed

Article number	st.	Fitting (mat. + conn)	Collecting pipe(mat+con)	Press class	I max PUMP	Pump speed	H5 [mm]	B1 [mm]	L1 [mm]	Mass [kg]
HU3 DPVF32										
HU36W509M00E	-50	GG NW65	AISI304 NW100	PN16	27.3A	2850 rpm	1389	424	1600	850
HU36W609M00E	-60	GG NW65	AISI304 NW100	PN16	27.3A	2850 rpm	1437	424	1600	850
HU36W703M00E	-70	AISI304 NW100	AISI304 NW100	PN25	32.0A	2850 rpm	1486	350.5	1600	890
HU36W803M00E	-80	AISI304 NW100	AISI304 NW100	PN25	32.0A	2850 rpm	1534	350.5	1600	890
HU36W903M00E	-90	AISI304 NW100	AISI304 NW100	PN25	42.2A	2850 rpm	1583	350.5	1600	950
HU36WA03M00E	-100	AISI304 NW100	AISI304 NW100	PN25	42.2A	2850 rpm	1675	350.5	1600	950
HU3 DPVF45										
HU36X319P00E	-30-1	GG NW80	AISI304 NW150	PN16	27.3A	2850 rpm	1292	471	1600	890
HU36X309P00E	-30	GG NW80	AISI304 NW150	PN16	27.3A	2850 rpm	1292	471	1600	890
HU36X419P00E	-40-1	GG NW80	AISI304 NW150	PN16	27.3A	2850 rpm	1340	471	1600	890
HU36X409P00E	-40	GG NW80	AISI304 NW150	PN16	32.0A	2850 rpm	1340	471	1600	950
HU36X519P00E	-50-1	GG NW80	AISI304 NW150	PN16	32.0A	2850 rpm	1389	471	1600	950
HU36X503P00E	-50	AISI304 NW100	AISI304 NW150	PN25	42.2A	2850 rpm	1433	381	1600	990
HU36X613P00E	-60-1	AISI304 NW100	AISI304 NW150	PN25	42.2A	2850 rpm	1481	381	1600	990
HU36X603P00E	-60	AISI304 NW100	AISI304 NW150	PN25	46.3A	2850 rpm	1530	381	1600	1110
HU36X713P00E	-70-1	AISI304 NW100	AISI304 NW150	PN25	46.3A	2850 rpm	1579	381	1600	1110
HU36X703P00G	-70	AISI304 NW100	AISI304 NW150	PN25	51.8A	2850 rpm	1634	381	2000	1360
HU36X813P00G	-80-1	AISI304 NW100	AISI304 NW150	PN25	51.8A	2850 rpm	1682	381	2000	1360
HU36X803P00G	-80	AISI304 NW100	AISI304 NW150	PN25	51.8A	2850 rpm	1682	381	2000	1360
HU3 DPVF65										
HU36Y108P00E	-10	GG NW100	AISI304 NW150	PN10	7.2A	2850 rpm	996	562	1600	730
HU36Y208P00E	-20	GG NW100	AISI304 NW150	PN10	14.4A	2850 rpm	1118	562	1600	730
HU36Y308P00E	-30	GG NW100	AISI304 NW150	PN10	27.3A	2850 rpm	1235	562	1600	960
HU36Y409P00E	-40	GG NW100	AISI304 NW150	PN16	27.3A	2850 rpm	1499	562	1600	960
HU36Y509P00E	-50	GG NW100	AISI304 NW150	PN16	32.0A	2850 rpm	1588	562	1600	1010
HU36Y609P00E	-60	GG NW100	AISI304 NW150	PN16	32.0A	2850 rpm	1677	562	1600	1010
HU3 DPVF85										
HU36F118Q00E	/1-1	GG NW100	AISI304 NW200	PN10	10.1A	2850 rpm	1108	479	1600	1160
HU36F108Q00E	/1	GG NW100	AISI304 NW200	PN10	13.2A	2850 rpm	1080	479	1600	1160
HU36F228Q00E	/2-2	GG NW100	AISI304 NW200	PN10	21.0A	2850 rpm	1392	479	1600	1160
HU36F218Q00E	/2-1	GG NW100	AISI304 NW200	PN10	28.2A	2850 rpm	1392	479	1600	1200
HU36F208Q00E	/2	GG NW100	AISI304 NW200	PN10	28.2A	2850 rpm	1392	479	1600	1200
HU36F328Q00E	/3-2	GG NW100	AISI304 NW200	PN10	33.6A	2850 rpm	1545	479	1600	1280
HU36F318Q00E	/3-1	GG NW100	AISI304 NW200	PN10	39.5A	2850 rpm	1594	479	1600	1390
HU36F308Q00E	/3	GG NW100	AISI304 NW200	PN10	39.5A	2850 rpm	1594	479	1600	1390
HU36F429Q00G	/4-2	GG NW100	AISI304 NW200	PN16	51.8A	2960 rpm	1758	389	2000	1700
HU36F419Q00G	/4-1	GG NW100	AISI304 NW200	PN16	51.8A	2960 rpm	1758	389	2000	1700
HU36F409Q00G	/4	GG NW100	AISI304 NW200	PN16	51.8A	2960 rpm	1758	389	2000	1700
HU36F523Q00G	/5-2	AISI304 NW100	AISI304 NW200	PN25	63.5A	2850 rpm	1867	389	2000	1770
HU36F513Q00G	/5-1	AISI304 NW100	AISI304 NW200	PN25	63.5A	2850 rpm	1867	389	2000	1770
HU36F503Q00G	/5	AISI304 NW100	AISI304 NW200	PN25	63.5A	2850 rpm	1867	389	2000	1770
HU36F623Q00G	/6-2	AISI304 NW100	AISI304 NW200	PN25	76.0A	2850 rpm	2033	389	2000	2180
HU36F613Q00G	/6-1	AISI304 NW100	AISI304 NW200	PN25	76.0A	2850 rpm	2033	389	2000	2180
HU36F603Q00G	/6	AISI304 NW100	AISI304 NW200	PN25	76.0A	2850 rpm	2033	389	2000	2180



5.2.2 Cabinet for HU3 DPVF32/45/65/85

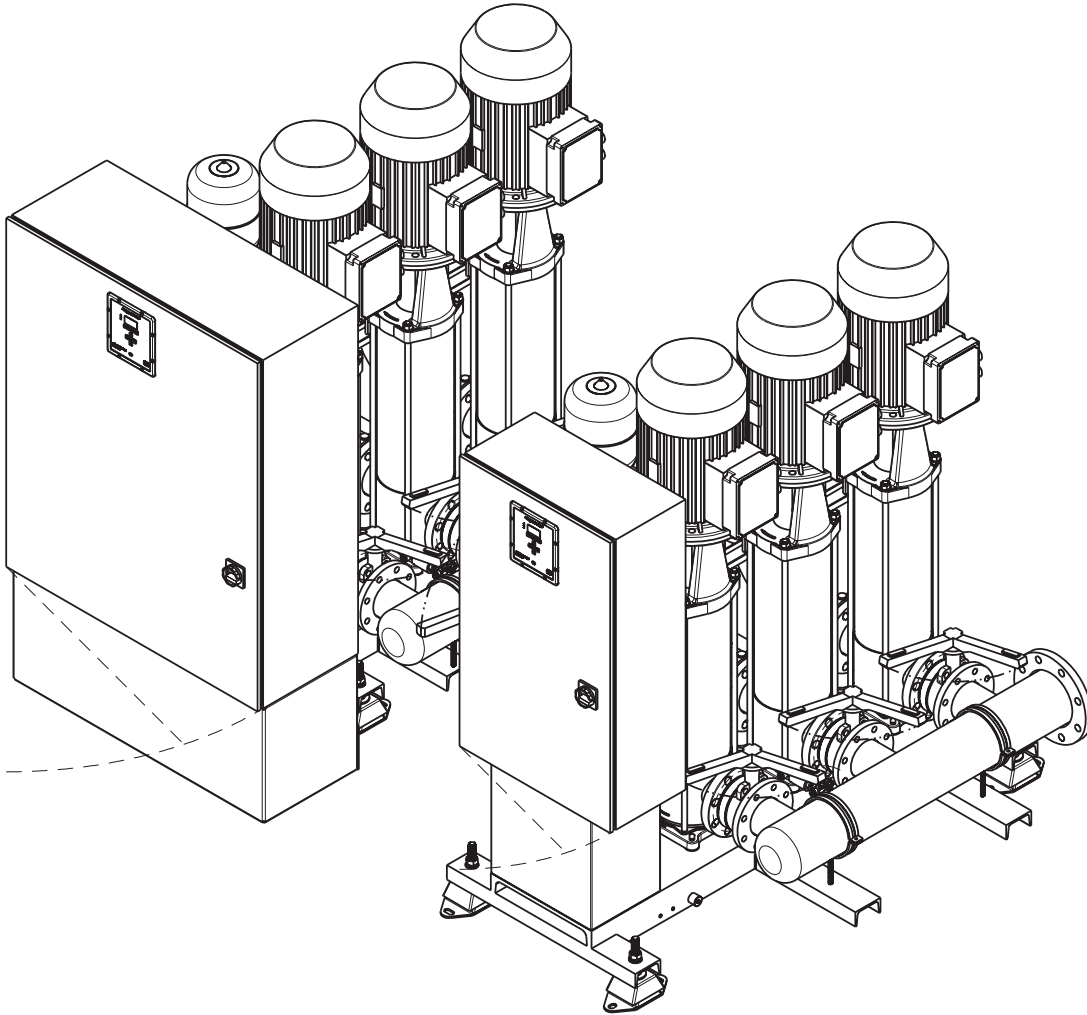


Figure 84: Cabinet HU3 DPVF32/45/65/85

20100737

98



ATTENTION
To complete a booster set with a cabinet use OV number OV10022803

Table 116: General

Number of pumps	3
Connection voltage	3 x 400 V + N 50 Hz
Insulation class panel	IP54
Alarm contact	2 (not urgent and urgent)
Run dry protection	universal (switch, level transmitter or pressure transmitter)
Cabinet mounting	Floor mounting

Table 117: Detailed

Art. nbr	Pump start	Ampere range	Option	Max. fuse	Wiring diagram nbr	H6xB5xL3 [mm]	Type
DKVO 730 DOL							
9033120080	DOL	5.50 - 8.00 A	Standard	40A	EF1C10CN	800x400x300	A
9033120100	DOL	7.00 - 10.00 A	Standard	50A	EF1C10CN	800x400x300	A
9033120120	DOL	9.00 - 12.00 A	Standard	50A	EF1C10CN	800x400x300	A
9033120160	DOL	11.00 - 16.00 A	Standard	80A	EF1C10CN	1000x600x300	B
9033123080	DOL	5.50 - 8.00 A	Industrial	40A	EF1CH0CN	800x400x300	A
9033123100	DOL	7.00 - 10.00 A	Industrial	50A	EF1CH0CN	800x400x300	A
9033123120	DOL	9.00 - 12.00 A	Industrial	50A	EF1CH0CN	800x400x300	A
9033123160	DOL	11.00 - 16.00 A	Industrial	80A	EF1CH0CN	1000x600x300	B
DKVO 730 S/D							
9033220160	S/D	11.00 - 16.00 A	Standard	50A	EF1C10EN	1000x600x300	B
9033223160	S/D	11.00 - 16.00 A	Industrial	50A	EF1CH0EN	1000x600x300	B
9033223200	S/D	14.00 - 20.00 A	Industrial	80A	EF1CH0EN	1000x600x300	B
9033223250	S/D	20.00 - 25.00 A	Industrial	80A	EF1CH0EN	1000x600x300	B
9033223320	S/D	22.00 - 32.00 A	Industrial	100A	EF1CH0EN	1000x600x300	B
9033223400	S/D	28.00 - 40.00 A	Industrial	125A	EF1CH0PN	1200x800x400	C
9033223450	S/D	36.00 - 45.00 A	Industrial	160A	EF1CH0PN	1200x800x400	C
9033223500	S/D	40.00 - 50.00 A	Industrial	160A	EF1CH0PN	1200x800x400	C
9033223630	S/D	45.00 - 63.00 A	Industrial	250A	EF1CH0PN	1200x1000x400	D
9033223750	S/D	57.00 - 75.00 A	Industrial	250A	EF1CH0PN	1200x1000x400	D
9033223900	S/D	70.00 - 90.00 A	Industrial	400A	EF1CH0PN	1200x1000x400	D
DKVO 730 SFT							
9033320080	SFT	5.50 - 8.00 A	Standard	40A	EF1C10FN	800x400x300	A
9033320100	SFT	7.00 - 10.00 A	Standard	40A	EF1C10FN	800x400x300	A
9033320120	SFT	9.00 - 12.00 A	Standard	40A	EF1C10FN	800x400x300	A
9033323080	SFT	5.50 - 8.00 A	Industrial	40A	EF1CH0FN	800x400x300	A
9033323100	SFT	7.00 - 10.00 A	Industrial	40A	EF1CH0FN	800x400x300	A
9033323120	SFT	9.00 - 12.00 A	Industrial	40A	EF1CH0FN	800x400x300	A
DKVO 730 FRK							
9033420072	FRK	7.20 A	Standard	40A	EF1C10KN	1000x600x300	B
9033420090	FRK	9.00 A	Standard	50A	EF1C10KN	1000x600x300	B
9033420120	FRK	12.00 A	Standard	80A	EF1C10KN	1000x600x300	B
9033420155	FRK	15.00 A	Standard	80A	EF1C10KN	1000x600x300	B
9033420230	FRK	23.00 A	Standard	125A	EF1C10KN	1000x600x300	B
9033423072	FRK	7.20 A	Industrial	40A	EF1CH0KN	1000x600x300	B
9033423090	FRK	9.00 A	Industrial	50A	EF1CH0KN	1000x600x300	B
9033423120	FRK	12.00 A	Industrial	80A	EF1CH0KN	1000x600x300	B
9033423155	FRK	15.00 A	Industrial	80A	EF1CH0KN	1000x600x300	B
9033423230	FRK	23.00 A	Industrial	125A	EF1CH0KN	1000x600x300	B
9033423310	FRK	31.00 A	Industrial	125A	EF1CH0KN	1000x600x300	B
9033423370	FRK	37.00 A	Industrial	125A	EF1CH0KN	1200x800x400	C
9033423412	FRK	41.20 A	Industrial	125A	EF1CH0KN	1200x800x400	C
DKVO 730 FRP							
9033423240	FRP	24.00 A	Industrial	80A	EF1CH0MN	1200x800x400	C
9033423320	FRP	32.00 A	Industrial	125A	EF1CH0MN	1200x800x400	C
9033423375	FRP	37.50 A	Industrial	125A	EF1CH0RN	1200x800x400	C
9033423440	FRP	44.00 A	Industrial	125A	EF1CH0RN	1200x800x400	C
9033423610	FRP	61.00 A	Industrial	250A	EF1CH0RN	1200x800x400	C
9033423730	FRP	73.00 A	Industrial	250A	EF1CH0RN	1200x800x400	C
9033423900	FRP	90.00 A	Industrial	250A	EF1CH0RN	1200x800x400	C
DKVO 730 FRI S/D							
9033620155	FRI S/D	11.00 - 15.50 A	Standard	80A	EF1C10IN	1200x800x400	C
9033620220	FRI S/D	17.00 - 22.00 A	Standard	80A	EF1C10IN	1200x800x400	C
9033620310	FRI S/D	22.00 - 31.00 A	Standard	125A	EF1C10IN	1200x800x400	C

