

5.5 Dimensions HU6 without cabinet

5.5.1 HU6 DPVF32/45/65/85 without Cabinet

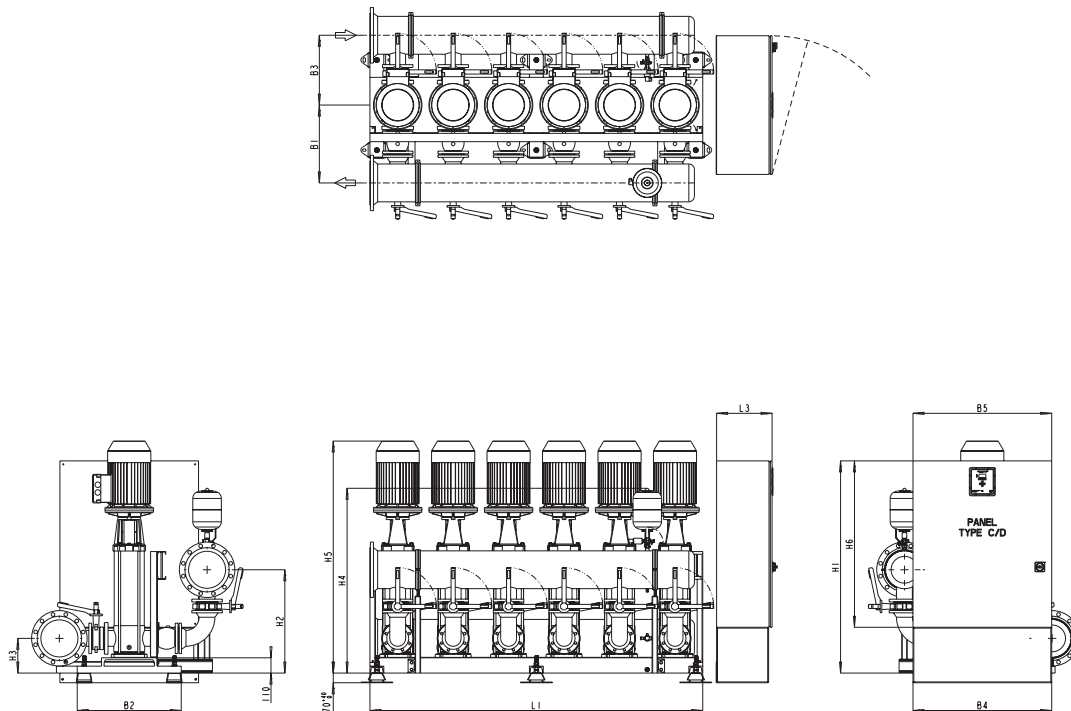


Figure 89: HU6 DPVF32/45/65/85

20100740



ATTENTION
To complete a booster set with a cabinet use OV number OV10022803

Table 128: Dimensions general

Pumptype	H2 [mm]	H3 [mm]	H4 [mm]	B2 [mm]	B3 [mm]
DPVF32	588	215	1123	750	423
DPVF45	635	215	1172	750	447
DPVF65	743	250	1306	750	502
DPVF85	718	250	1279	750	510

Table 129: General

Base frame	Base frame C/D
Membrane vessel	8 l
Connection voltage	3 x 400 V + N 50 Hz
Control panel	without control panel
Drawing number	20100740

Table 130: Detailed

Article number	st.	Fitting (mat. + conn)	Collecting pipe(mat+con)	Press class	I max PUMP	Pump speed	H5 [mm]	B1 [mm]	L1 [mm]	Mass [kg]
HU6 DPVF32										
HU66W509P00F	-50	GG NW65	AISI304 NW150	PN16	27.3A	2850 rpm	1389	424	2400	1610
HU66W609P00F	-60	GG NW65	AISI304 NW150	PN16	27.3A	2850 rpm	1437	424	2400	1610
HU66W703P00F	-70	AISI304 NW100	AISI304 NW150	PN25	32.0A	2850 rpm	1486	351	2400	1700
HU66W803P00F	-80	AISI304 NW100	AISI304 NW150	PN25	32.0A	2850 rpm	1534	351	2400	1700
HU66W903P00F	-90	AISI304 NW100	AISI304 NW150	PN25	42.2A	2850 rpm	1583	351	2400	1810
HU66WA03P00F	-100	AISI304 NW100	AISI304 NW150	PN25	42.2A	2850 rpm	1675	351	2400	1810
HU6 DPVF45										
HU66X319Q00F	-30-1	GG NW80	AISI304 NW200	PN16	27.3A	2850 rpm	1292	471	2400	1700
HU66X309Q00F	-30	GG NW80	AISI304 NW200	PN16	27.3A	2850 rpm	1292	471	2400	1700
HU66X419Q00F	-40-1	GG NW80	AISI304 NW200	PN16	27.3A	2850 rpm	1340	471	2400	1700
HU66X409Q00F	-40	GG NW80	AISI304 NW200	PN16	32.0A	2850 rpm	1340	471	2400	1810
HU66X519Q00F	-50-1	GG NW80	AISI304 NW200	PN16	32.0A	2850 rpm	1389	471	2400	1810
HU66X503Q00F	-50	AISI304 NW100	AISI304 NW200	PN25	42.2A	2850 rpm	1433	381	2400	1890
HU66X613Q00F	-60-1	AISI304 NW100	AISI304 NW200	PN25	42.2A	2850 rpm	1481	381	2400	1890
HU66X603Q00F	-60	AISI304 NW100	AISI304 NW200	PN25	46.3A	2850 rpm	1530	381	2400	2120
HU66X713Q00F	-70-1	AISI304 NW100	AISI304 NW200	PN25	46.3A	2850 rpm	1579	381	2400	2120
HU66X703Q00H	-70	AISI304 NW100	AISI304 NW200	PN25	51.8A	2850 rpm	1634	379	3000	2600
HU66X813Q00H	-80-1	AISI304 NW100	AISI304 NW200	PN25	51.8A	2850 rpm	1682	379	3000	2600
HU66X803Q00H	-80	AISI304 NW100	AISI304 NW200	PN25	51.8A	2850 rpm	1682	379	3000	2600
HU6 DPVF65										
HU66Y108R00F	-10	GG NW100	AISI304 NW250	PN10	7.2A	2850 rpm	996	562	2400	1370
HU66Y208R00F	-20	GG NW100	AISI304 NW250	PN10	14.4A	2850 rpm	1118	562	2400	1370
HU66Y308R00F	-30	GG NW100	AISI304 NW250	PN10	27.3A	2850 rpm	1235	562	2400	1820
HU66Y409R00F	-40	GG NW100	AISI304 NW250	PN16	27.3A	2850 rpm	1499	562	2400	1820
HU66Y509R00F	-50	GG NW100	AISI304 NW250	PN16	32.0A	2850 rpm	1588	562	2400	1930
HU66Y609R00F	-60	GG NW100	AISI304 NW250	PN16	32.0A	2850 rpm	1677	562	2400	1930
HU6 DPVF85										
HU66F118R00F	/1-1	GG NW100	AISI304 NW250	PN10	10.1A	2850 rpm	1108	570	2400	2220
HU66F108R00F	/1	GG NW100	AISI304 NW250	PN10	13.2A	2850 rpm	1080	570	2400	2220
HU66F228R00F	/2-2	GG NW100	AISI304 NW250	PN10	21.0A	2850 rpm	1392	570	2400	2220
HU66F218R00F	/2-1	GG NW100	AISI304 NW250	PN10	28.2A	2850 rpm	1392	570	2400	2300
HU66F208R00F	/2	GG NW100	AISI304 NW250	PN10	28.2A	2850 rpm	1392	570	2400	2300
HU66F328R00F	/3-2	GG NW100	AISI304 NW250	PN10	33.6A	2850 rpm	1545	570	2400	2470
HU66F318R00F	/3-1	GG NW100	AISI304 NW250	PN10	39.5A	2850 rpm	1594	570	2400	2680
HU66F308R00F	/3	GG NW100	AISI304 NW250	PN10	39.5A	2850 rpm	1594	570	2400	2680
HU66F429R00H	/4-2	GG NW100	AISI304 NW250	PN16	51.8A	2960 rpm	1758	460	3000	3290
HU66F419R00H	/4-1	GG NW100	AISI304 NW250	PN16	51.8A	2960 rpm	1758	460	3000	3290
HU66F409R00H	/4	GG NW100	AISI304 NW250	PN16	51.8A	2960 rpm	1758	460	3000	3290
HU66F523R00H	/5-2	AISI304 NW100	AISI304 NW250	PN25	63.5A	2850 rpm	1867	460	3000	3440
HU66F513R00H	/5-1	AISI304 NW100	AISI304 NW250	PN25	63.5A	2850 rpm	1867	460	3000	3440
HU66F503R00H	/5	AISI304 NW100	AISI304 NW250	PN25	63.5A	2850 rpm	1867	460	3000	3440
HU66F623R00H	/6-2	AISI304 NW100	AISI304 NW250	PN25	76.0A	2850 rpm	2033	460	3000	4260
HU66F613R00H	/6-1	AISI304 NW100	AISI304 NW250	PN25	76.0A	2850 rpm	2033	460	3000	4260
HU66F603R00H	/6	AISI304 NW100	AISI304 NW250	PN25	76.0A	2850 rpm	2033	460	3000	4260



5.5.2 Cabinet for HU6 DPVF32/45/65/85

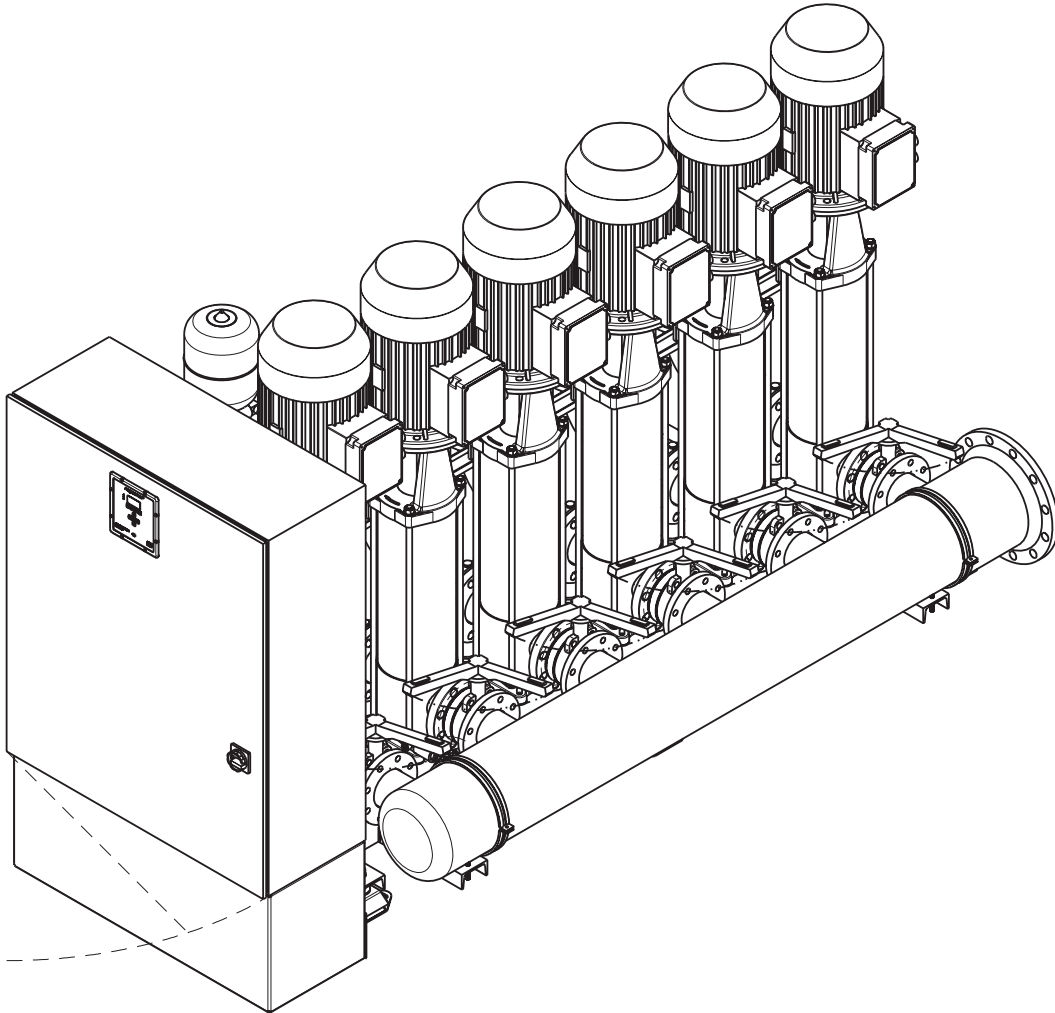


Figure 90: Cabinet HU6 DPVF32/45/65/85

20100740

110



ATTENTION
 To complete a booster set with a cabinet use OV number OV10022803

Table 131: General

Number of pumps	6
Connection voltage	3 x 400 V + N 50 Hz
Insulation class panel	IP54
Alarm contact	2 (not urgent and urgent)
Run dry protection	universal (switch, level transmitter or pressure transmitter)
Cabinet mounting	Floor mounting

Table 132: Detailed

Art. nbr	Pump start	Ampere range	Option	Max. fuse	Wiring diagram nbr	H6 x B5 x L3 [mm]	Type
DKVO 760 DOL							
9036120080	DOL	5.50 - 8.00 A	Standard	50A	EF1C10CN	1200x800x400	C
9036120100	DOL	7.00 - 10.00 A	Standard	80A	EF1C10CN	1200x800x400	C
9036120120	DOL	9.00 - 12.00 A	Standard	80A	EF1C10CN	1200x800x400	C
9036120160	DOL	11.00 - 16.00 A	Standard	100A	EF1C10CN	1200x800x400	C
9036123080	DOL	5.50 - 8.00 A	Industrial	50A	EF1CH0CN	1200x800x400	C
9036123100	DOL	7.00 - 10.00 A	Industrial	80A	EF1CH0CN	1200x800x400	C
9036123120	DOL	9.00 - 12.00 A	Industrial	80A	EF1CH0CN	1200x800x400	C
9036123160	DOL	11.00 - 16.00 A	Industrial	100A	EF1CH0CN	1200x800x400	C
DKVO 760 S/D							
9036220160	S/D	11.00 - 16.00 A	Standard	100A	EF1C10EN	1200x800x400	C
9036223160	S/D	11.00 - 16.00 A	Industrial	100A	EF1CH0EN	1200x800x400	C
9036223200	S/D	14.00 - 20.00 A	Industrial	125A	EF1CH0PN	1200x800x400	C
9036223250	S/D	20.00 - 25.00 A	Industrial	160A	EF1CH0PN	1200x800x400	C
9036223320	S/D	22.00 - 32.00 A	Industrial	250A	EF1CH0PN	1200x1000x400	D
9036223400	S/D	28.00 - 40.00 A	Industrial	250A	EF1CH0PN	1200x1000x400	D
9036223450	S/D	36.00 - 45.00 A	Industrial	400A	EF1CH0PN	1200x1000x400	D
9036223500	S/D	40.00 - 50.00 A	Industrial	400A	EF1CH0PN	1200x1000x400	D
9036223630	S/D	45.00 - 63.00 A	Industrial	400A	EF1CH0PN	1200x1000x400	D
9036223750	S/D	57.00 - 75.00 A	Industrial	630A	EF1CH0PN	1200x1200x400	E
9036223900	S/D	70.00 - 90.00 A	Industrial	630A	EF1CH0PN	1200x1200x400	E
DKVO 760 SFT							
9036320080	SFT	5.50 - 8.00 A	Standard	80A	EF1C10FN	1200x800x400	C
9036320100	SFT	7.00 - 10.00 A	Standard	80A	EF1C10FN	1200x800x400	C
9036320120	SFT	9.00 - 12.00 A	Standard	80A	EF1C10FN	1200x800x400	C
9036323080	SFT	5.50 - 8.00 A	Industrial	80A	EF1CH0FN	1200x800x400	C
9036323100	SFT	7.00 - 10.00 A	Industrial	80A	EF1CH0FN	1200x800x400	C
9036323120	SFT	9.00 - 12.00 A	Industrial	80A	EF1CH0FN	1200x800x400	C
DKVO 760 FRP							
9036423240	FRP	24.00 A	Industrial	160A	EF1CH0RN	1200x800x400	C
9036423320	FRP	32.00 A	Industrial	250A	EF1CH0RN	1200x800x400	C
9036423375	FRP	37.50 A	Industrial	250A	EF1CH0RN	1200x800x400	C
9036423440	FRP	44.00 A	Industrial	250A	EF1CH0RN	1200x800x400	C
9036423610	FRP	61.00 A	Industrial	400A	EF1CH0RN	1200x800x400	C
9036423730	FRP	73.00 A	Industrial	400A	EF1CH0RN	1200x800x400	C
9036423900	FRP	90.00 A	Industrial	630A	EF1CH0RN	1200x1000x400	D

