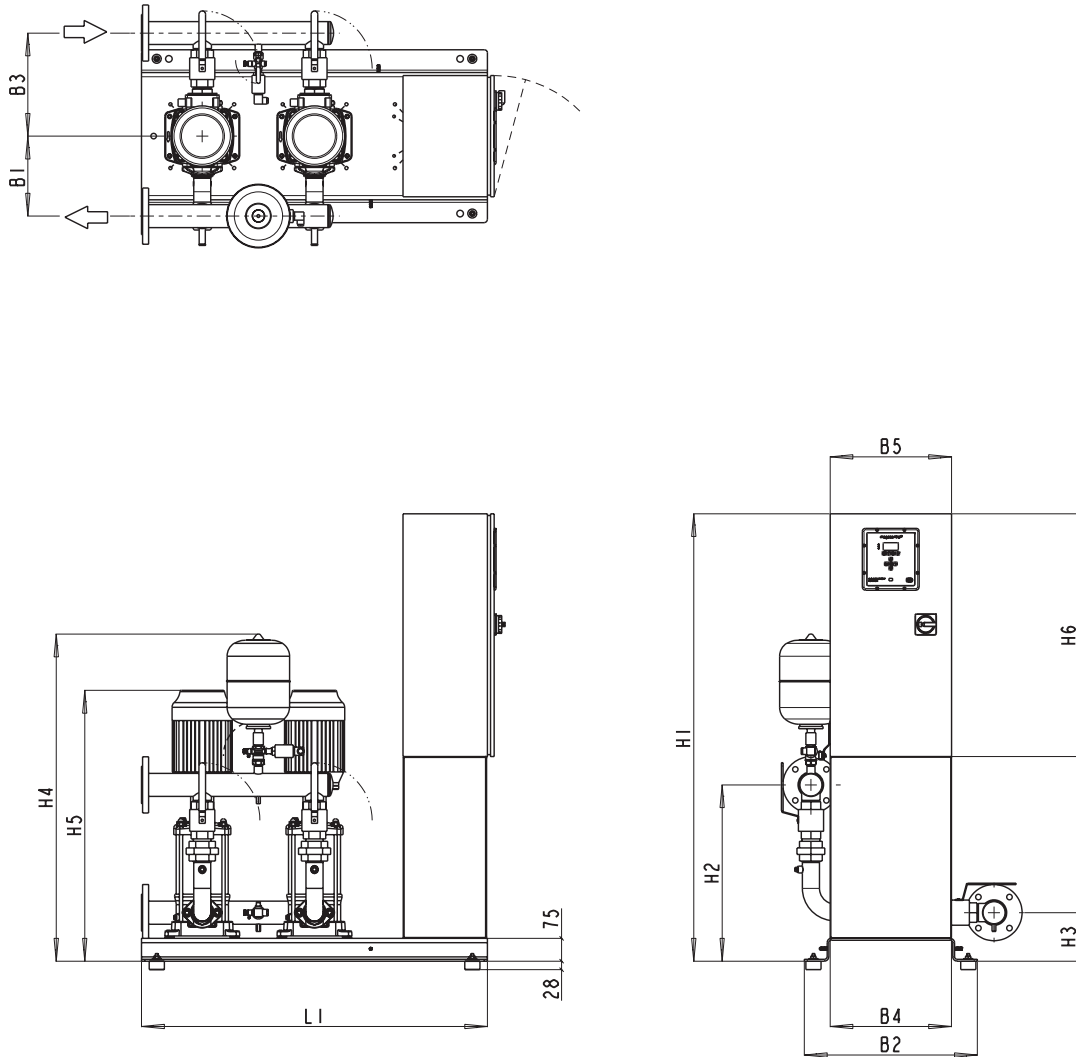


4.1.3 HU2 DPV10/15 MCMF - A 50Hz



60

Figure 51: HU2 DPV10/15 MCMF

Table 62: Dimensions

| Pump type | H1 [mm] | H2 [mm] | H3 [mm] | H4 [mm] | H5 [mm]   | H6 [mm] | B1 [mm] | B2 [mm] | B3 [mm] | B4 [mm] | B5 [mm] | L1 [mm] | L2 [mm] | L3 [mm] |
|-----------|---------|---------|---------|---------|-----------|---------|---------|---------|---------|---------|---------|---------|---------|---------|
| DPV10     | 1475    | 582     | 160     | 1075    | see table | 800     | 265     | 570     | 340     | 400     | 400     | 1140    | NA      | 300     |
| DPV15     | 1475    | 582     | 160     | 1075    | see table | 800     | 265     | 570     | 340     | 400     | 400     | 1140    | NA      | 300     |

201001101

Table 63: General

|                    |                      |
|--------------------|----------------------|
| Run-dry protection | Pressure transmitter |
| Membrane vessel    | 8 l                  |
| Connection voltage | 3 x 400 V + N 50 Hz  |
| Protection class   | IP55                 |
| Drawing number     | 20101101             |

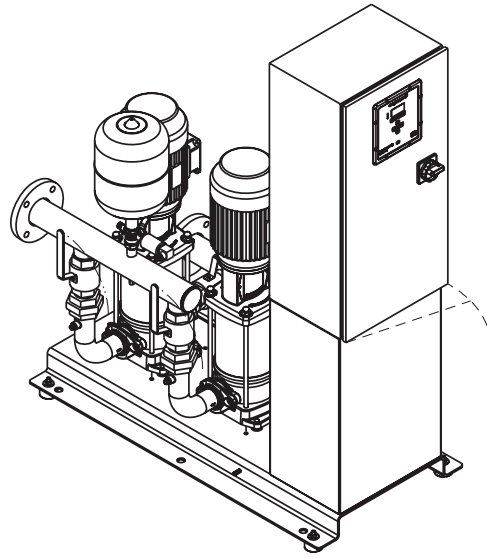


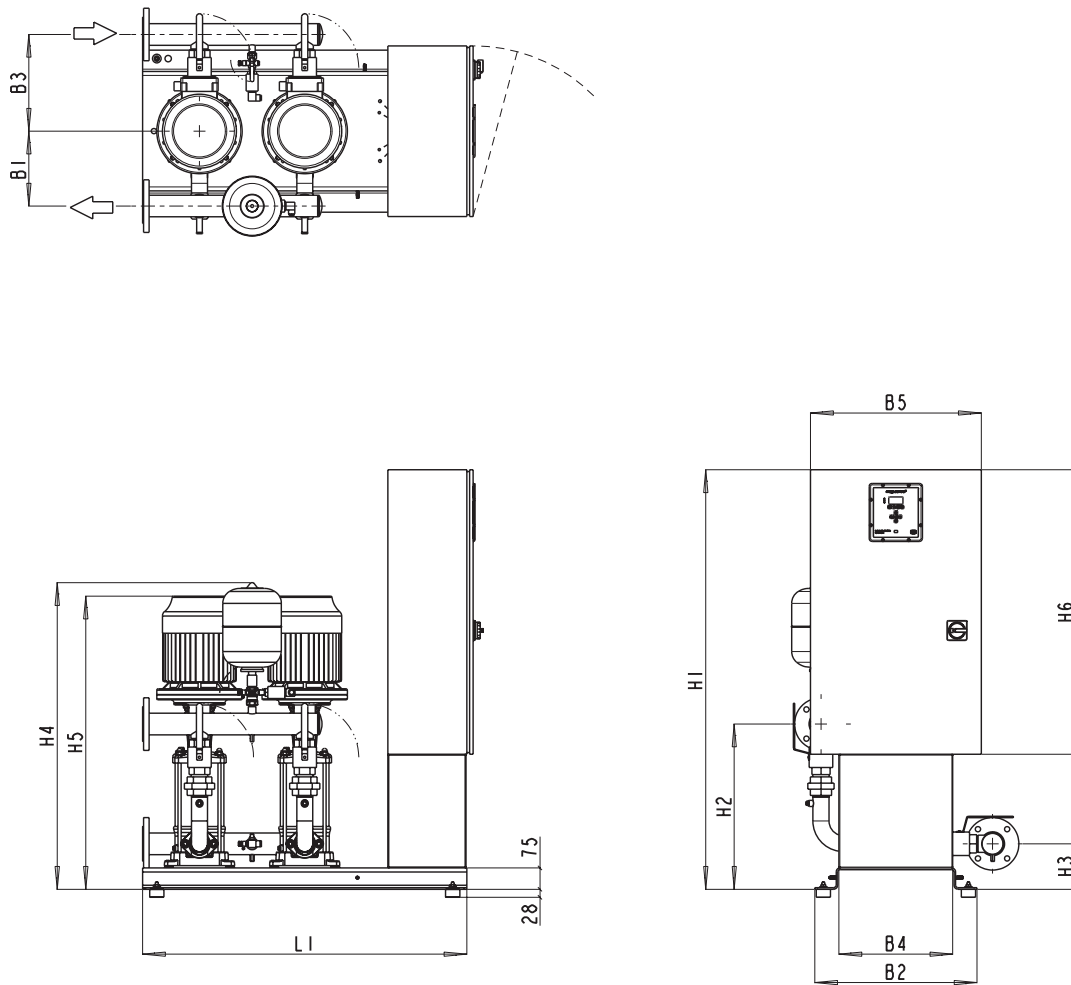
Figure 52: HU2 DPV10/15

20101101

Table 64: Detailed

| Article number   | st. | Fitting (mat. + conn) | Collecting pipe(mat+con) | Press class | l max Unit | Max fuse | Control  | Pump speed | H5 [mm] | Mass [kg] |
|------------------|-----|-----------------------|--------------------------|-------------|------------|----------|----------|------------|---------|-----------|
| <b>HU2 DPV10</b> |     |                       |                          |             |            |          |          |            |         |           |
| HU23A201K64C     | /2  | AISI304 G 2           | AISI304 NW65             | PN10        | 6.73A      | 25A      | MCMF - A | 2850 rpm   | 696     |           |
| HU23A301K64C     | /3  | AISI304 G 2           | AISI304 NW65             | PN10        | 9.10A      | 25A      | MCMF - A | 2850 rpm   | 722     |           |
| HU23A401K64C     | /4  | AISI304 G 2           | AISI304 NW65             | PN10        | 10.67A     | 25A      | MCMF - A | 2850 rpm   | 754     |           |
| HU23A501K64C     | /5  | AISI304 G 2           | AISI304 NW65             | PN10        | 14.90A     | 25A      | MCMF - A | 2850 rpm   | 795     |           |
| HU23A602K64C     | /6  | AISI304 G 2           | AISI304 NW65             | PN16        | 14.90A     | 25A      | MCMF - A | 2850 rpm   | 822     |           |
| <b>HU2 DPV15</b> |     |                       |                          |             |            |          |          |            |         |           |
| HU23B201K64C     | /2  | AISI304 G 2           | AISI304 NW65             | PN10        | 14.90A     | 25A      | MCMF - A | 2850 rpm   | 716     |           |

4.1.4 HU2 DPV10/15 MCMF - B



62

Figure 53: HU2 DPV10/15 MCMF - B

Table 65: Dimensions

| Pump type | H1 [mm] | H2 [mm] | H3 [mm] | H4 [mm] | H5 [mm]   | H6 [mm] | B1 [mm] | B2 [mm] | B3 [mm] | B4 [mm] | B5 [mm] | L1 [mm] | L2 [mm] | L3 [mm] |
|-----------|---------|---------|---------|---------|-----------|---------|---------|---------|---------|---------|---------|---------|---------|---------|
| DPV10     | 1475    | 582     | 160     | 1075    | see table | 1000    | 265     | 570     | 340     | 400     | 600     | 1140    | NA      | 300     |
| DPV15     | 1475    | 582     | 160     | 1075    | see table | 1000    | 265     | 570     | 340     | 400     | 600     | 1140    | NA      | 300     |

201001104

Table 66: General

|                    |                      |
|--------------------|----------------------|
| Run-dry protection | Pressure transmitter |
| Membrane vessel    | 8 l                  |
| Connection voltage | 3 x 400 V + N 50 Hz  |
| Protection class   | IP55                 |
| Drawing number     | 20101104             |

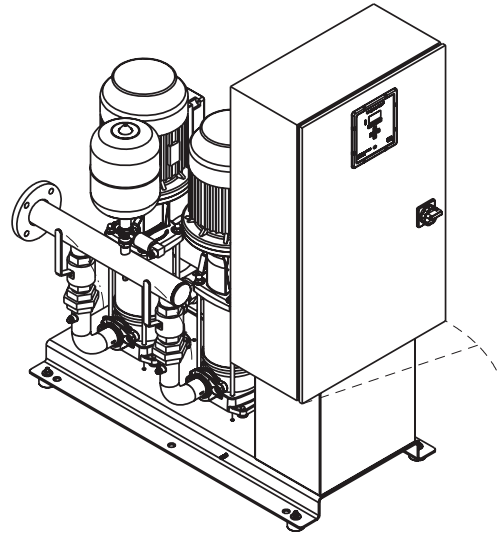


Figure 54: HU 2 DPV15

20101104

Table 67: Detailed

| Article number   | st. | Fitting (mat. + conn) | Collecting pipe(mat+con) | Press class | l max Unit | Max fuse | Control  | Pump speed | H5 [mm] | Mass [kg] |
|------------------|-----|-----------------------|--------------------------|-------------|------------|----------|----------|------------|---------|-----------|
| <b>HU2 DPV10</b> |     |                       |                          |             |            |          |          |            |         |           |
| HU23A702K64C     | /7  | AISI304 G 2           | AISI304 NW65             | PN16        | 19.50A     | 25A      | MCMF - B | 2850 rpm   | 903     |           |
| HU23A802K64C     | /8  | AISI304 G 2           | AISI304 NW65             | PN16        | 19.50A     | 25A      | MCMF - B | 2850 rpm   | 930     |           |
| HU23A902K64C     | /9  | AISI304 G 2           | AISI304 NW65             | PN16        | 25.30A     | 40A      | MCMF - B | 2850 rpm   | 966     |           |
| HU23AA02K64C     | /10 | AISI304 G 2           | AISI304 NW65             | PN16        | 25.30A     | 40A      | MCMF - B | 2850 rpm   | 993     |           |
| <b>HU2 DPV15</b> |     |                       |                          |             |            |          |          |            |         |           |
| HU23B301K64C     | /3  | AISI304 G 2           | AISI304 NW65             | PN10        | 19.50A     | 25A      | MCMF - B | 2850 rpm   | 797     |           |
| HU23B401K64C     | /4  | AISI304 G 2           | AISI304 NW65             | PN10        | 25.30A     | 40A      | MCMF - B | 2850 rpm   | 834     |           |
| HU23B502K64C     | /5  | AISI304 G 2           | AISI304 NW65             | PN16        | 34.75A     | 50A      | MCMF - B | 2850 rpm   | 965     |           |
| HU23B602K64C     | /6  | AISI304 G 2           | AISI304 NW65             | PN16        | 34.75A     | 50A      | MCMF - B | 2850 rpm   | 991     |           |
| HU23B702K64C     | /7  | AISI304 G 2           | AISI304 NW65             | PN16        | 46.33A     | 63A      | MCMF - B | 2850 rpm   | 1018    |           |
| HU23B802K64C     | /8  | AISI304 G 2           | AISI304 NW65             | PN16        | 46.33A     | 63A      | MCMF - B | 2850 rpm   | 1044    |           |