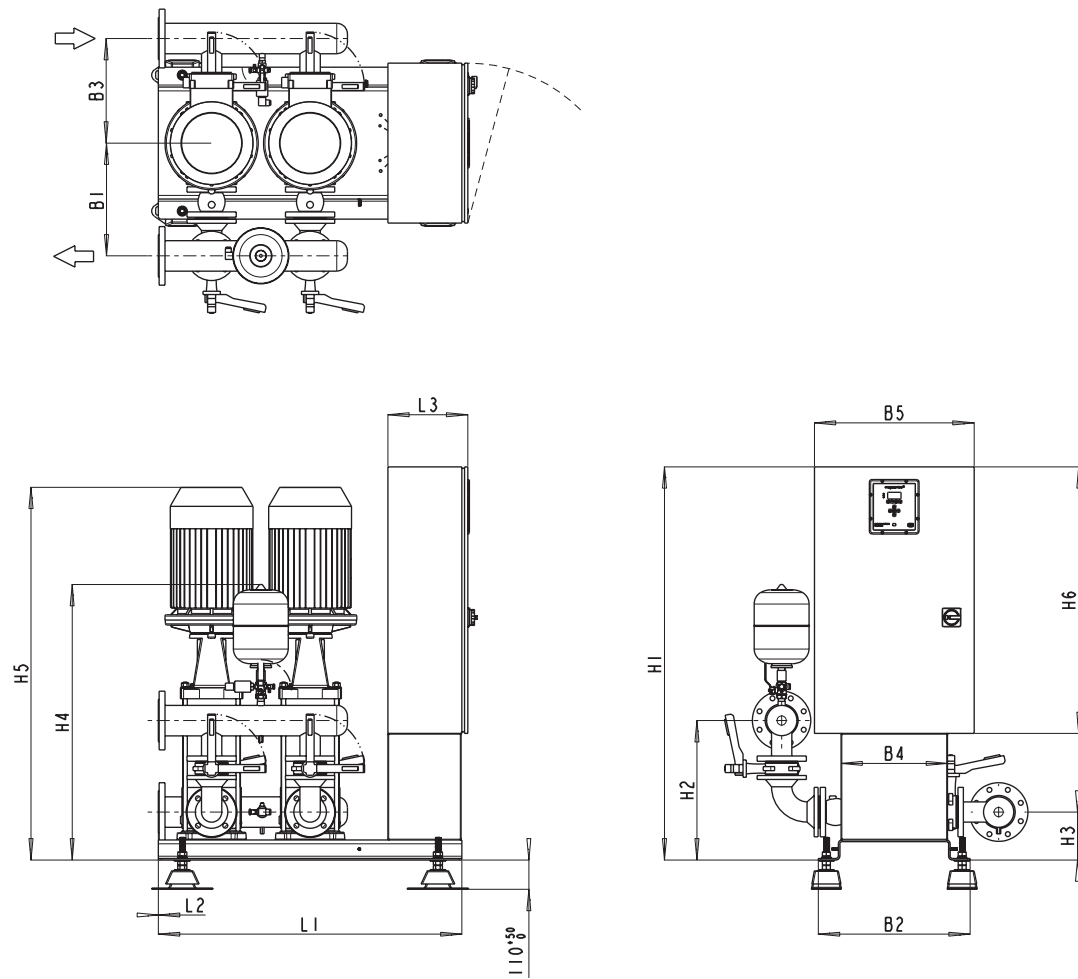


4.1.5 HU2 DPVF32/45 MCMF - B



64

Figure 55: HU2 DPVF32/45 MCMF - B

Table 68: Dimensions

Pump-type	H1 [mm]	H2 [mm]	H3 [mm]	H4 [mm]	H5 [mm]	H6 [mm]	B1 [mm]	B2 [mm]	B3 [mm]	B4 [mm]	B5 [mm]	L1 [mm]	L2 [mm]	L3 [mm]
DPVF32	1475	524	180	1060	see table	800	427	570	394	400	600	1140	0	300
DPVF45	1475	548	180	1058	see table	1000	471	570	394	400	600	1140	0	300

201000614

Table 69: General

Run-dry protection	Pressure transmitter
Membrane vessel	8 l
Connection voltage	3 x 400 V + N 50 Hz
Protection class	IP55
Drawing number	20100614

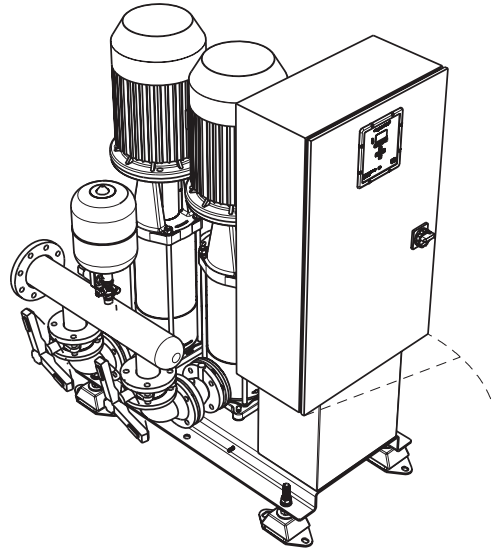


Figure 56: HU2 DPVF32/45

20100614

Table 70: Detailed

Article number	st.	Fitting (mat. + conn)	Collecting pipe(mat+con)	Press class	l max unit	Max fuse	Control	Pump speed	H5 [mm]	Mass [kg]
HU2 DPVF32										
HU26W208M94C	-20	GG NW65	AISI304 NW100	PN10	26.7A	50A	MCMF - B	2850 rpm	905	390
HU26W308M94C	-30	GG NW65	AISI304 NW100	PN10	49.0A	50A	MCMF - B	2850 rpm	979	420
HU26W409M94C	-40	GG NW65	AISI304 NW100	PN16	59.7A	80A	MCMF - B	2850 rpm	1055	420
HU2 DPVF45										
HU26X108M94C	-10	GG NW80	AISI304 NW100	PN10	30.3A	50A	MCMF - B	2850 rpm	857	440
HU26X218M94C	-20-1	GG NW80	AISI304 NW100	PN10	49.0A	50A	MCMF - B	2850 rpm	930	440
HU26X208M94C	-20	GG NW80	AISI304 NW100	PN10	59.7A	80A	MCMF - B	2850 rpm	958	440